



STANDARD CONSTRUCTION

MATERIAL:

.020 (26 GAUGE) 3003 H14 ALUMINUM

FINISH:

MILL FINISH

STANDARD SIZES:

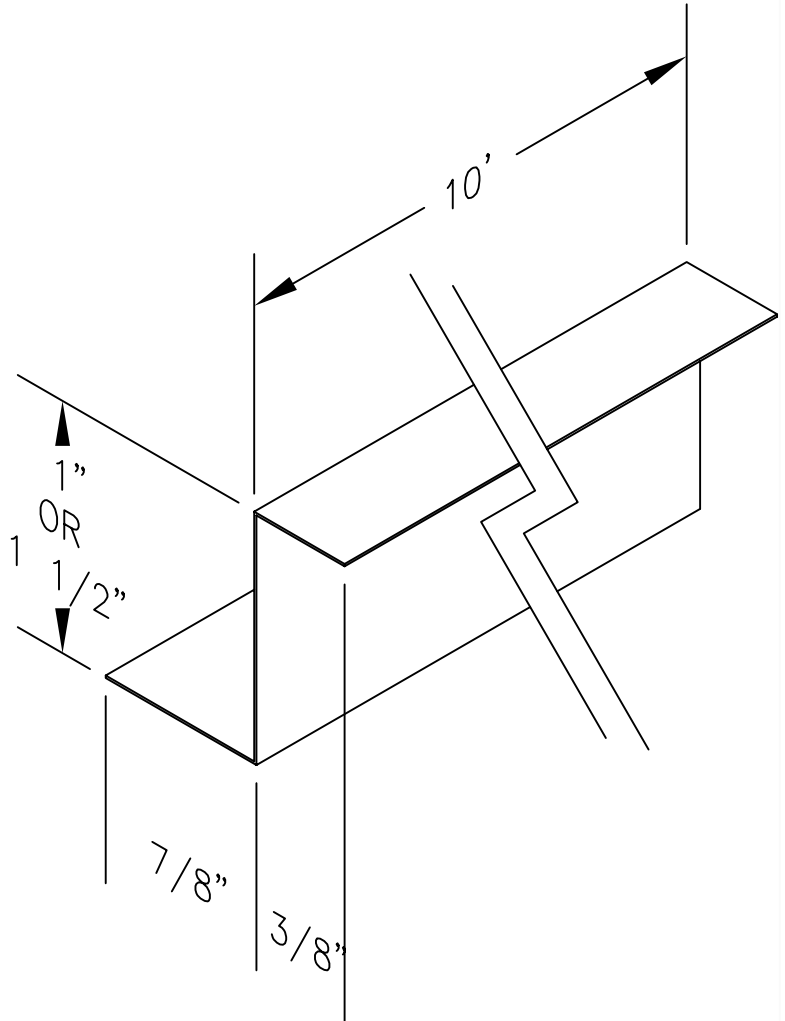
| | HEIGHT | LENGTH | BOX QTY |
|-------|--------|--------|---------|
| ZB-2 | 1" | 10' | 100' |
| ZBR-2 | 1.5" | 10' | 100' |

FEATURES

CONSTRUCTED OF CORROSION RESISTANT ALUMINUM.

AVAILABLE AS 1" (ZB-2) OR 1 1/2" (ZBR-2) HEIGHTS.

BOX QUANTITY 100'.



| |
|---|
| JOB NAME: |
| LOCATION: |
| ARCHITECT: |
| ENGINEER: |
| CONTRACTOR: |
| CONTACT MIAMI TECH INC. FOR ADDITIONAL INFORMATION OR WITH SPECIAL REQUIREMENTS. 3611 NW 74TH ST MIAMI, FL 33147 PHONE: 305-693-7054 FAX: 305-693-6152 WEB: WWW.MIAMITECH.COM EMAIL: SALES@MIAMITECH.COM |

ZB-2 / ZBR-2

ALUMINUM Z BAR
PRODUCT SPECIFICATIONS

NOTE: ALL DRAWINGS SUBJECT TO CHANGE WITHOUT PRIOR NOTICE.



| | | |
|----------------|----------------|---------------------|
| DRAWN BY: AF | DATE: 09/25/07 | SCALE: NOT TO SCALE |
| CHECKED BY: IG | DATE: 09/25/07 | REVISION: 1 |

DRAWING NO. ZB