



**STANDARD CONSTRUCTION**

**MATERIAL:**  
18 GAUGE ASTM A-653 HOT-DIPPED GALVANIZED STEEL SHEET

**BLADE:**  
22 GAUGE ASTM A-653 HOT-DIPPED GALVANIZED STEEL SHEET

**CONTROL SHAFT:**  
1/4" X 1/4" X 2" SQUARE PLATED STEEL.

**FEATURES**

GALVANIZED STEEL PROVIDES EXCELLENT CORROSION RESISTANCE AND LONGEVITY.

6" X 6" MINIMUM / 36" X 12" MAXIMUM DIMENSIONS.

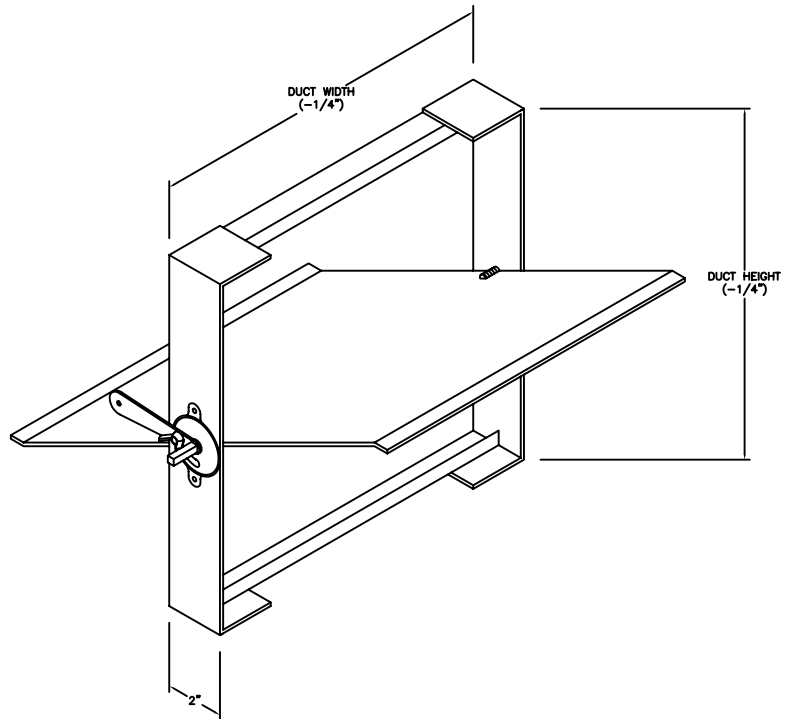
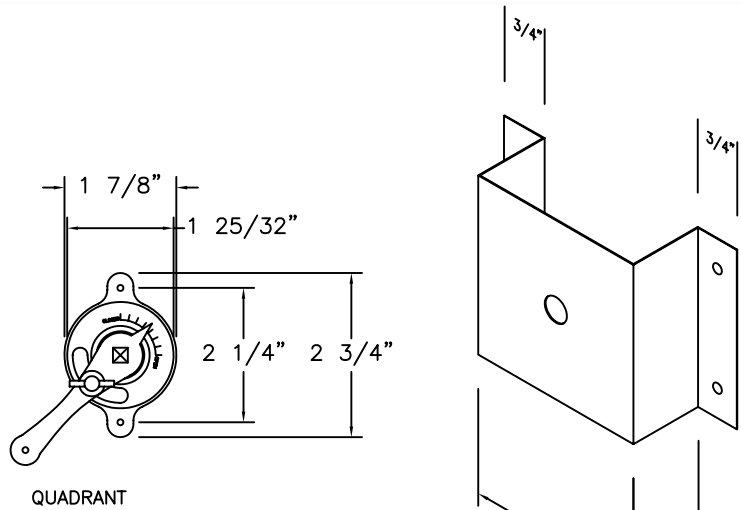
ALL DAMPERS 1/4" UNDER LISTED SIZE UNLESS SPECIFIED "ACTUAL" OR "EXACT".

QUADRANT 1/4" OFFSET TO ALLOW FOR PROPER OPERATION OF BLADES.

LOCKING QUADRANT INCLUDED AT NO ADDITIONAL PRICE.

OPTIONS: CUSTOM SIZES AVAILABLE

- QUADRANT FACTORY INSTALLED
- QUADRANT TO BE FIELD INSTALLED
- STAND-OFF FACTORY INSTALLED
- STAND-OFF TO BE FIELD INSTALLED



JOB NAME:
LOCATION:
ARCHITECT:
ENGINEER:
CONTRACTOR:
CONTACT MIAMI TECH INC. FOR ADDITIONAL INFORMATION OR WITH SPECIAL REQUIREMENTS. 3611 NW 74TH ST MIAMI, FL 33147 PHONE: 305-693-7054 FAX: 305-693-6152 WEB: WWW.MIAMITECH.COM EMAIL: SALES@MIAMITECH.COM

**VD**

**SINGLE BLADE BALANCING DAMPER  
PRODUCT SPECIFICATIONS**

NOTE: ALL DRAWINGS SUBJECT TO CHANGE WITHOUT PRIOR NOTICE.



**miami tech inc.**

DRAWN BY: AF	DATE: 10/10/07	SCALE: NOT TO SCALE	DRAWING NO. VD
CHECKED BY: IG	DATE: 10/10/07	REVISION: 1	