



**STANDARD CONSTRUCTION**

**LEGS:**

16 GAUGE 1 1/2" X 1 1/2" GALVANIZED BOX STEEL  
18", 24" AND 36" LEG LENGTHS STANDARD  
CUSTOM LEG LENGTHS AVAILABLE

**FRAME:**

2" X 2" X 1/8" GALVANIZED ANGLE  
1" X 1" 16-GAUGE GALVANIZED ANGLE FILTER FRAME  
22" DEPTH STANDARD  
CUSTOM FRAME DEPTH AVAILABLE

**ADJUSTABLE WIDTHS:**

N: 17" - 26"

W: 20" - 32"

CUSTOM ADJUSTABLE WIDTH OR FIXED WIDTHS AVAILABLE

**OPTIONS:**

FILTER RACK CAN BE EXCLUDED AT CUSTOMER'S REQUEST.

HEAT PUMP CONFIGURATION AVAILABLE.

**FEATURES**

NO ASSEMBLY REQUIRED.

1 1/2" X 1 1/2" BOX STEEL LEGS PROVIDE EXCELLENT STABILITY AND CORROSION RESISTANCE.

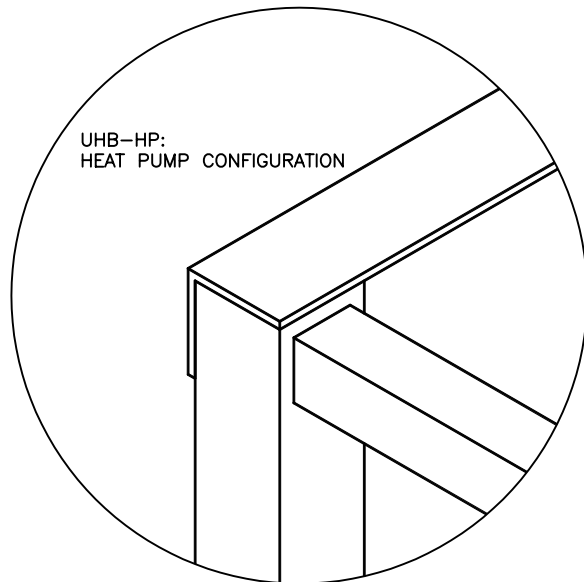
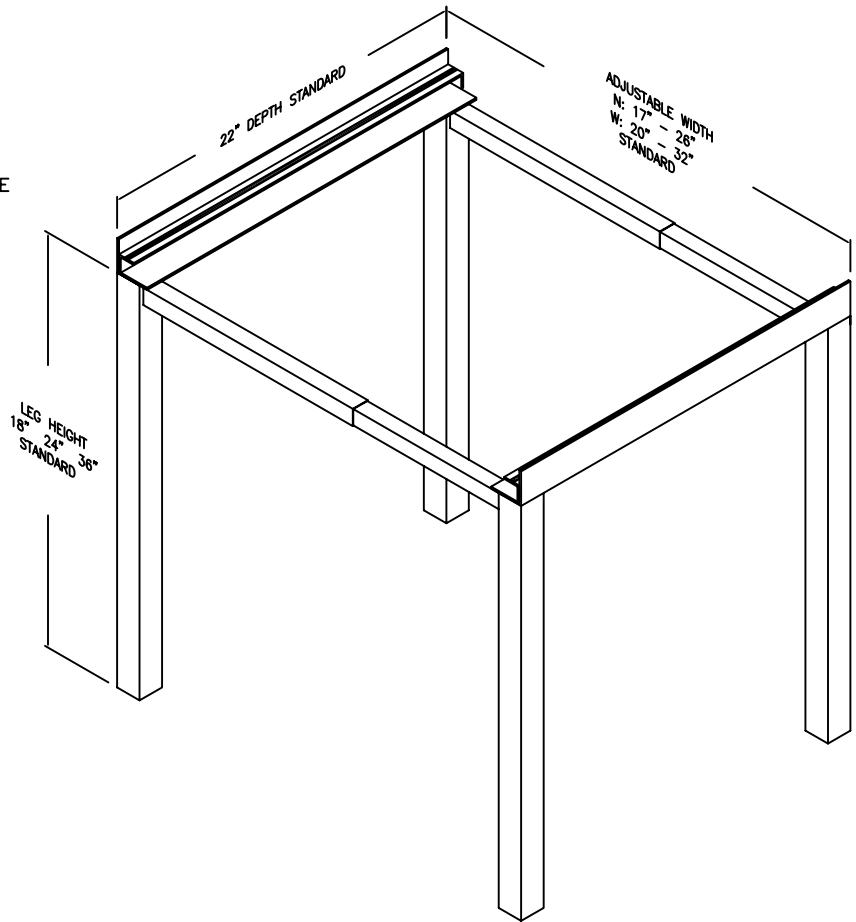
ADJUSTABLE WIDTH ALLOWS THIS STAND TO BE USED WITH VARIOUS SIZED UNITS.

FULL WELDED SEAMS CREATE A PERMANENT CONNECTION FOR ADDED STRENGTH.

PLASTIC CAPPED LEG BOTTOMS PROTECT SUBSTRATES FROM SCRATCHING AND GOUGING.

CUSTOM SIZES UPON REQUEST TO MEET CLEAR HEIGHT REQUIREMENTS.

SEE OUR ORDER FORM FOR CUSTOM SIZES.



JOB NAME:
LOCATION:
ARCHITECT:
ENGINEER:
CONTRACTOR:
CONTACT MIAMI TECH INC. FOR ADDITIONAL INFORMATION OR WITH SPECIAL REQUIREMENTS. 3611 NW 74TH ST MIAMI, FL 33147 PHONE: 305-693-7054 FAX: 305-693-6152 WEB: WWW.MIAMITECH.COM EMAIL: SALES@MIAMITECH.COM

**UHB**

ADJUSTABLE AIR HANDLER BASE  
PRODUCT SPECIFICATIONS

NOTE: ALL DRAWINGS SUBJECT TO CHANGE WITHOUT PRIOR NOTICE.



DRAWN BY:	AF
CHECKED BY:	IG

DATE:	08/24/07
DATE:	08/24/07

SCALE:	NOT TO SCALE
REVISION:	IG

DRAWING NO.	UHB
-------------	-----