

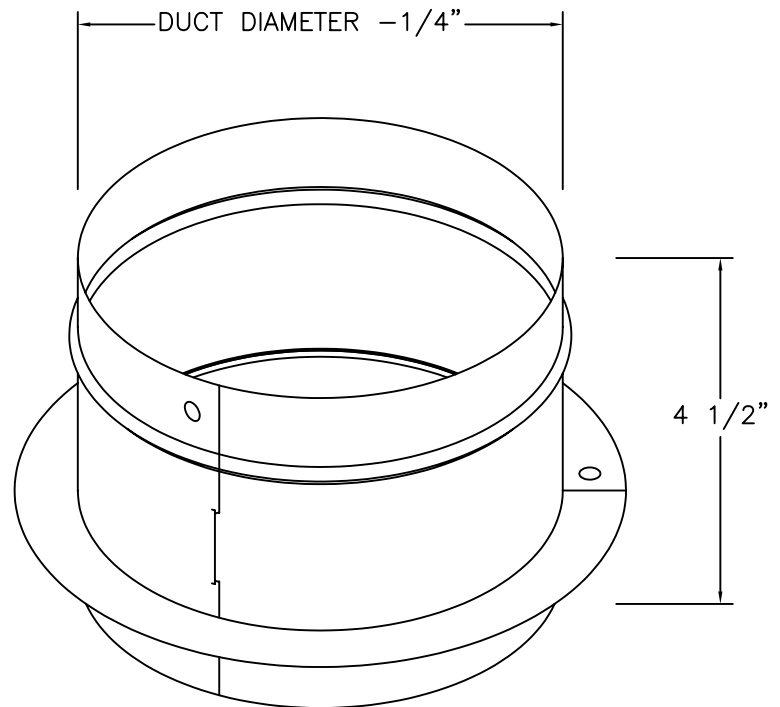


STANDARD CONSTRUCTION

BODY:
28 GAUGE ASTM A-653 HOT-DIPPED GALVANIZED STEEL SHEET

STANDARD SIZES:

DIAMETER	MODEL	CASE QTY.
4"	UBC04	100
5"	UBC05	100
6"	UBC06	75
7"	UBC07	60
8"	UBC08	50
9"	UBC09	40
10"	UBC10	40
12"	UBC12	25
14"	UBC14	20



FEATURES

ACCOMMODATES MULTIPLE SIZES OF FIBERGLASS BACKED GRILLES. (THE GRILLE TECH UNIVERSAL COMMERCIAL GRILLES FAMILY.)

DESIGN ALLOWS FOR A SOLID CONNECTION WITHOUT SHOWING TABS THROUGH THE FACE OF THE GRILLE.

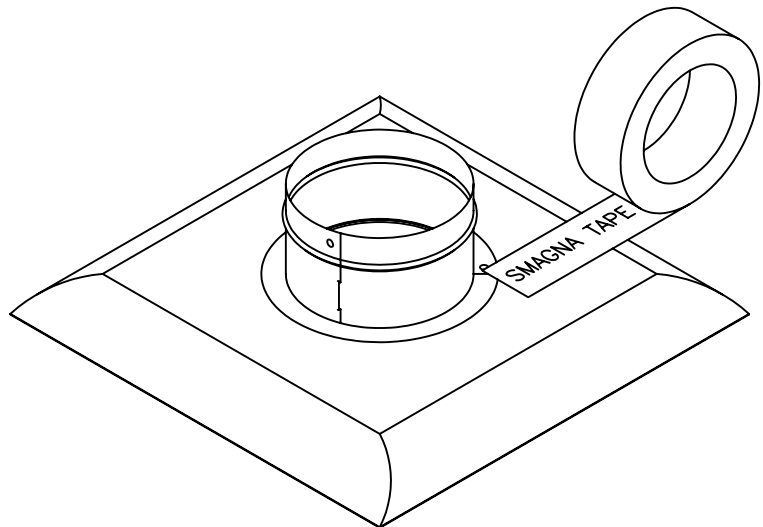
COLLAR EXTENDS BEYOND THE INSULATION, KEEPING FIBERGLASS OUT OF THE AIRSTREAM.

A MECHANICALLY CLOSED AND RIVETED BODY FOR ADDED STRENGTH.

1" FLANGE PROVIDES FOR A SOLID FIELD-TAPED SEAM.

THE UBC CAN BE FACTORY INSTALLED AS WELL USING A UL HOT-MELT PRODUCT.

OPTIONS: FACTORY INSTALLED



JOB NAME:
LOCATION:
ARCHITECT:
ENGINEER:
CONTRACTOR:
CONTACT MIAMI TECH INC. FOR ADDITIONAL INFORMATION OR WITH SPECIAL REQUIREMENTS. 3611 NW 74TH ST MIAMI, FL 33147 PHONE: 305-693-7054 FAX: 305-693-6152 WEB: WWW.MIAMITECH.COM EMAIL: SALES@MIAMITECH.COM

UBC

UNIVERSAL BACK COLLAR
PRODUCT SPECIFICATIONS

NOTE: ALL DRAWINGS SUBJECT TO CHANGE WITHOUT PRIOR NOTICE.



DRAWN BY: AF

DATE: 10/16/07

SCALE: NOT TO SCALE

DRAWING NO.

CHECKED BY: IG

DATE: 10/16/07

REVISION 1

UBC