

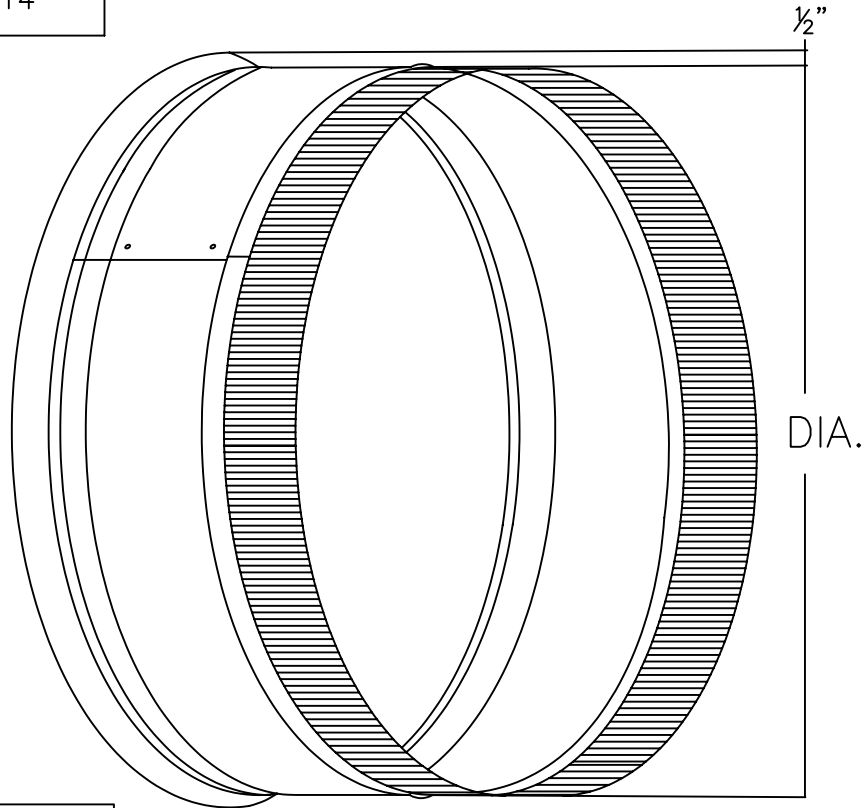


STANDARD CONSTRUCTION

*BODY:
12"-14" 26 GAUGE
ASTM A-653 HOT-DIPPED
GALVANIZED STEEL*

STANDARD SIZES:

DIAMETER	MODEL
12"	TCPU12
14"	TCPU14



FEATURES

*BODY MECHANICALLY FASTENED
TOGETHER TO INSURE A RIGID
ASSEMBLY.
SOLD INDIVIDUALLY.*

JOB NAME:
LOCATION:
ARCHITECT:
ENGINEER:
CONTRACTOR:
CONTACT MIAMI TECH INC. FOR ADDITIONAL INFORMATION OR WITH SPECIAL REQUIREMENTS.
3611 NW 74TH ST MIAMI, FL 33147 PHONE: 305-693-7054 FAX: 305-693-6152
WEB: WWW.MIAMITECH.COM EMAIL: SALES@MIAMITECH.COM

TCPU
NORDYNE TAKE-OFF COLLAR FOR
PACKAGE-UNIT
PRODUCT SPECIFICATIONS

NOTE: ALL DRAWINGS SUBJECT TO CHANGE WITHOUT PRIOR NOTICE.



DRAWN BY: AF	DATE: 12/18/2008	SCALE: NOT TO SCALE
CHECKED BY: IV	DATE: 12/18/2008	REVISION: 01

DRAWING NO.
TCPU