



STANDARD CONSTRUCTION

MATERIAL:
26 GAUGE ASTM A-653 HOT-DIPPED GALVANIZED STEEL SHEET

CONSTRUCTION:
MECHANICALLY RIVETED / STITCH WELDED

FEATURES

GALVANIZED STEEL PROVIDES EXCELLENT CORROSION RESISTANCE AND LONGEVITY.

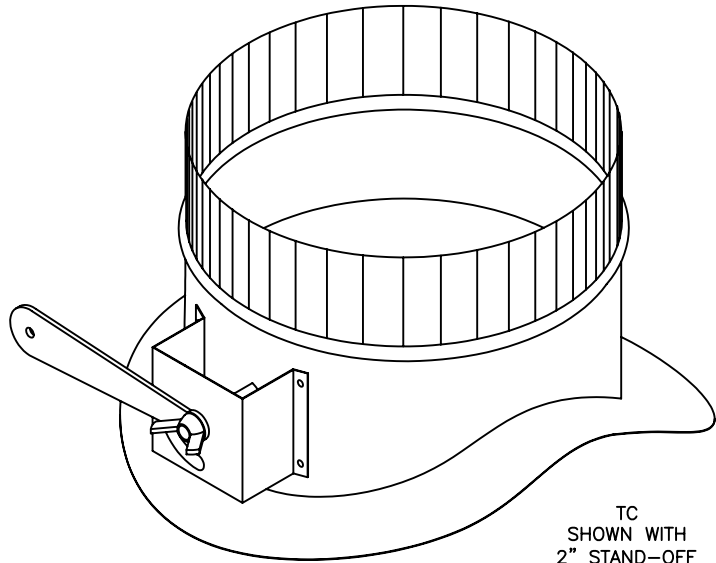
FLANGE FABRICATED TO ENSURE SOLID CONNECTION.

CLAMP BAND AND PIPE CRIMP FACILITATE QUICK AND SECURE FIELD INSTALLATION.

OPTIONS: CUSTOM SIZES AVAILABLE.
2" STAND-OFF (TC-SO)

STANDARD SIZES:

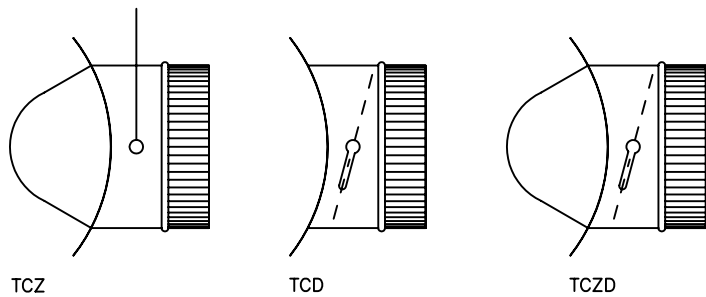
PLAIN	W/ SCOOP	W/ DAMPER	W/ SCOOP AND DAMPER	GAUGE	SIZE	QTY.
TC4	TCZ4	TCD4	TCZD4	26	4"	1
TC5	TCZ5	TCD5	TCZD5	26	5"	1
TC6	TCZ6	TCD6	TCZD6	26	6"	1
TC7	TCZ7	TCD7	TCZD7	26	7"	1
TC8	TCZ8	TCD8	TCZD8	26	8"	1
TC10	TCZ10	TCD10	TCZD10	26	10"	1
TC12	TCZ12	TCD12	TCZD12	26	12"	1
TC14	TCZ14	TCD14	TCZD14	26	14"	1
TC16	TCZ16	TCD16	TCZD16	26	16"	1
TC18	TCZ18	TCD18	TCZD18	26	18"	1
TC20	TCZ20	TCD20	TCZD20	26	20"	1



TC SHOWN WITH 2" STAND-OFF

JOB NAME:
LOCATION:
ARCHITECT:
ENGINEER:
CONTRACTOR:
CONTACT MIAMI TECH INC. FOR ADDITIONAL INFORMATION OR WITH SPECIAL REQUIREMENTS.
3611 NW 74TH ST MIAMI, FL 33147 PHONE: 305-693-7054 FAX: 305-693-6152
WEB: WWW.MIAMITECH.COM EMAIL: SALES@MIAMITECH.COM

MOUNTING HOLES FOR OPTIONAL DAMPER



TCZ

TCD

TCZD

TC

**TAKE OFF COLLAR
PRODUCT SPECIFICATIONS**

NOTE: ALL DRAWINGS SUBJECT TO CHANGE WITHOUT PRIOR NOTICE.



DRAWN BY: AF	DATE: 10/10/07	SCALE: NOT TO SCALE	DRAWING NO. TC
CHECKED BY: IG	DATE: 10/10/07	REVISION: 1	