



STANDARD CONSTRUCTION

FRAME:
16 GAUGE 1" X 1" BOX
16 GAUGE 1" X 1" L-BAR

OUTSIDE CASING:
26 GAUGE ASTM A-653 HOT-DIPPED GALVANIZED STEEL SHEET

MESH:
13 GAUGE 1 3/4" X 3/4" EXPANDED STEEL

STANDARD SIZES:

MODEL	WIDTH	DEPTH	HEIGHT	QTY
TASB175	17 1/2"	21"	18"	1
TASB215	21 1/2"	21"	18"	1
TASB235	23 1/2"	21"	18"	1

FEATURES

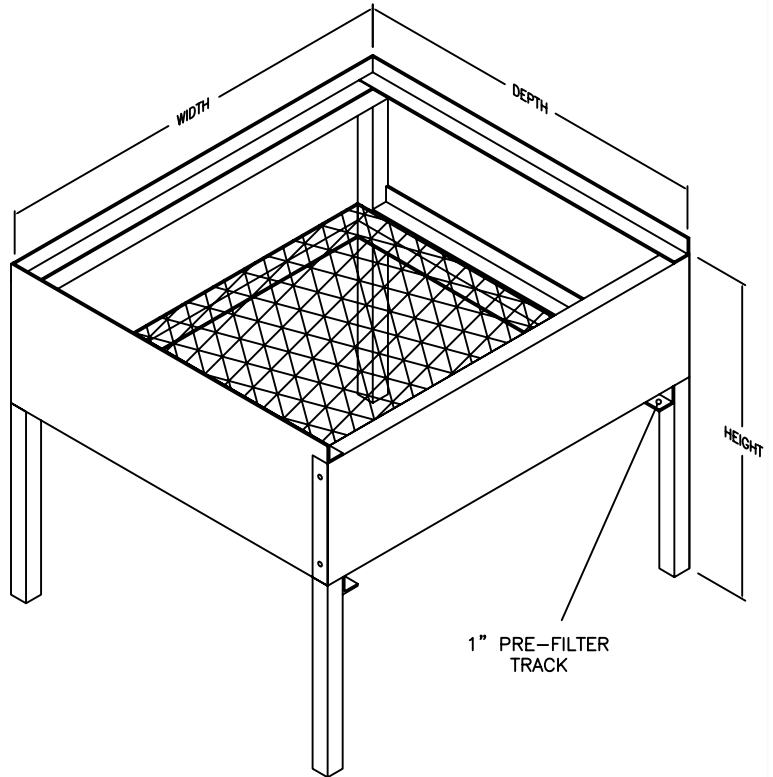
GALVANIZED STEEL PROVIDES EXCELLENT CORROSION RESISTANCE AND LONGEVITY.

FULLY POWDER COATED TO GIVE A LONG LASTING, CORROSION RESISTANT FINISH (TRANE COLOR).

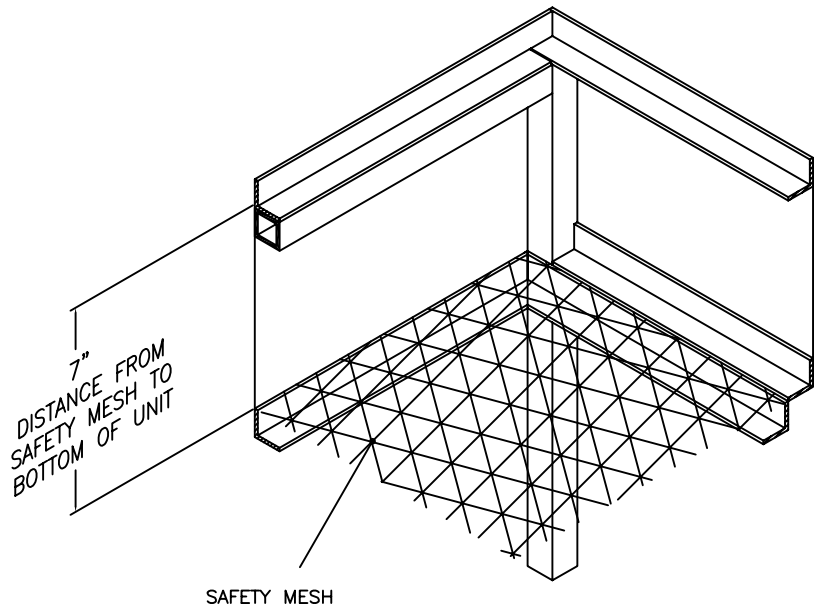
PLASTIC CAPPED FEET TO PROTECT FOUNDATION SURFACE.

PRE-FILTER TRACK ACCOMMODATES A 1" THICK AIR FILTER (FILTER NOT INCLUDED).

STANDS INDIVIDUALLY BOXED FOR EASY INVENTORY.



JOB NAME:
LOCATION:
ARCHITECT:
ENGINEER:
CONTRACTOR:
CONTACT MIAMI TECH INC. FOR ADDITIONAL INFORMATION OR WITH SPECIAL REQUIREMENTS. 3611 NW 74TH ST MIAMI, FL 33147 PHONE: 305-693-7054 FAX: 305-693-6152 WEB: WWW.MIAMITECH.COM EMAIL: SALES@MIAMITECH.COM



TASB

TRANE/AMERICAN STANDARD AIR HANDLER STAND
PRODUCT SPECIFICATIONS

NOTE: ALL DRAWINGS SUBJECT TO CHANGE WITHOUT PRIOR NOTICE.



DRAWN BY: AF	DATE: 11/08/07	SCALE: NOT TO SCALE	DRAWING NO.
CHECKED BY: AV	DATE: 6/4/10	REVISION: C	TASB