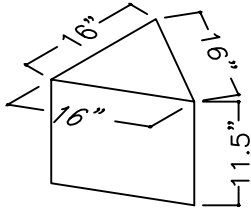
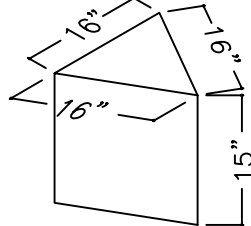


# STA, MTA, LTA, XTA STK, MTK, LTK, XTK

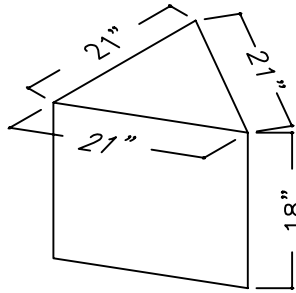
STA/STK



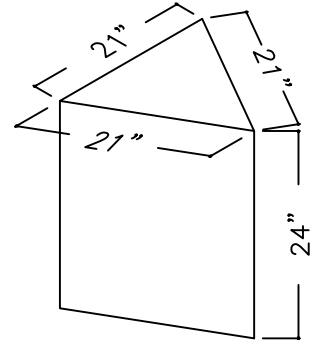
MTA/MTK



LTA/LTK



XTA/XTK



NOTE: DIAGRAMS SHOW OUTSIDE DIMENSIONS.

MIAMI TECH'S FIBERGLASS TRIANGLE BOXES COME IN A VARIETY OF DIMENSIONS TO BEST SUIT THE NEEDS OF THE JOB. THESE BOXES ARE MADE OF 1 1/2" THICK R6 FIBERGLASS INSULATION WITH A FSK (FOIL BARRIER). ALL MODELS ARE AVAILABLE AS PRE-CONSTRUCTED OR UNFOLDED UNITS. UNFOLDED UNITS CAN BE BUILT QUICKLY AND REQUIRE ONLY TAPE TO FASTEN THEM. DUCT OPENINGS CAN BE EASILY CUT WITH A UTILITY KNIFE.

TRIANGLES: ASSEMBLED					
PART NO.	SIZE	TRIANGLE SIDE (OUTSIDE DIMENSIONS)	TRIANGLE SIDE (INSIDE DIMENSIONS)	HEIGHT (OUTSIDE DIMENSIONS)	PKG. QUANTITY
STA	SMALL	16 X 16 X 16	14 X 14 X 14	11.5"	6
MTA	MEDIUM	16 X 16 X 16	14 X 14 X 14	15"	6
LTA	LARGE	21 X 21 X 21	19 X 19 X 19	18"	6
XTA	EXTRA LARGE	21 X 21 X 21	19 X 19 X 19	24"	6
TRIANGLES: KNOCKED DOWN					
PART NO.	SIZE	TRIANGLE SIDE (OUTSIDE DIMENSIONS)	TRIANGLE SIDE (INSIDE DIMENSIONS)	HEIGHT (OUTSIDE DIMENSIONS)	PKG. QUANTITY
STK	SMALL	16 X 16 X 16	14 X 14 X 14	11.5"	18
MTK	MEDIUM	16 X 16 X 16	14 X 14 X 14	15"	15
LTK	LARGE	21 X 21 X 21	19 X 19 X 19	18"	10
XTK	EXTRA LARGE	21 X 21 X 21	19 X 19 X 19	24"	8

**STA, MTA, LTA, XTA  
STK, MTK, LTK, XTK**

FIBERGLASS TRIANGLE BOXES  
PRODUCT DESCRIPTION

NOTE: ALL DRAWINGS SUBJECT TO CHANGE WITHOUT PRIOR NOTICE.