

STANDARD CONSTRUCTION
BODY:

26 GAUGE GALVANIZED STEEL

CAP :

26 GAUGE GALVANIZED STEEL

BIRD SCREEN :

22 GAUGE EXPANDED GALVANIZED STEEL

SEALER :

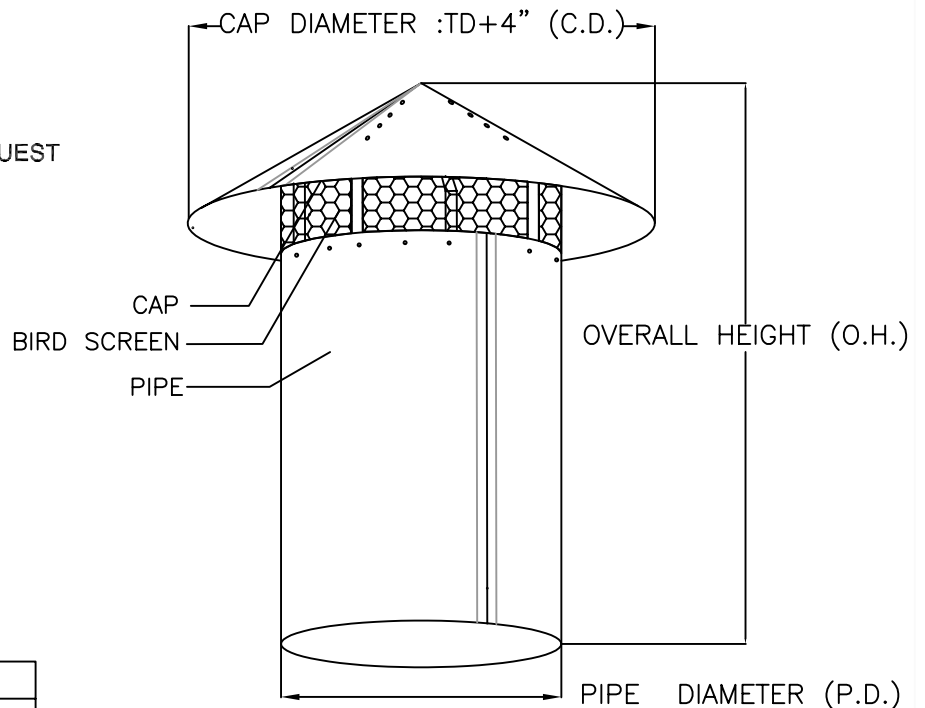
PARABOND ALUMINIUM ADHESIVE

OPTION:

CUSTOM SIZES AVAILABLE UPON REQUEST

STANDARD SIZES:

P.D.	C.D.	O.H.
6"	10"	12"
8"	12"	16"
10"	14"	20"
12"	16"	24"
14"	18"	28"



JOB NAME:
LOCATION:
ARCHITECT:
ENGINEER:
CONTRACTOR:
CONTACT MIAMI TECH INC. FOR ADDITIONAL INFORMATION OR WITH SPECIAL REQUIREMENTS. 3611 NW 74TH ST MIAMI, FL 33147 PHONE: 305-693-7054 FAX: 305-693-6152 WEB: WWW.MIAMITECH.COM EMAIL: SALES@MIAMITECH.COM

SC

 SHANTY CAP
 PRODUCT SPECIFICATIONS

NOTE: ALL DRAWINGS SUBJECT TO CHANGE WITHOUT PRIOR NOTICE.

DRAWN BY: AF	DATE: 02.25.2009	SCALE: NOT TO SCALE	DRAWING NO.:
CHECKED BY: IV	DATE: 07.02.2010	REVISION: 02	SC