



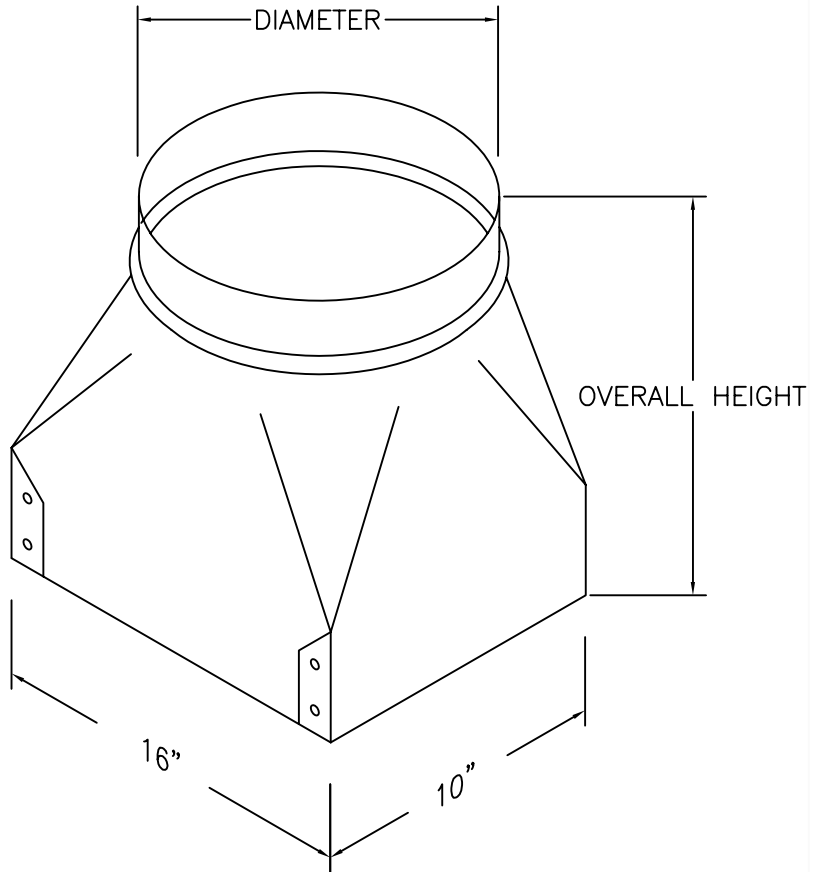
STANDARD CONSTRUCTION

MATERIAL:
26 GAUGE ASTM A-653 HOT-DIPPED GALVANIZED STEEL SHEET

CONSTRUCTION:
MECHANICALLY RIVETED / STITCH WELDED

STANDARD SIZES:

| MODEL | OVERALL HEIGHT | DIA | GA | QTY |
|-------------|----------------|-----|----|-----|
| RTRPU161012 | 12" | 12" | 26 | 1 |
| RTRPU161014 | 13" | 14" | 26 | 1 |
| RTRPU161016 | 13" | 16" | 26 | 1 |



FEATURES

GALVANIZED STEEL PROVIDES EXCELLENT CORROSION RESISTANCE AND LONGEVITY.

RECTANGULAR END FITS OUTLETS OF ICP PACKAGE UNITS.

*ROUND COLLAR IS OVERSIZED WITH A BEAD TO ACCEPT PIPE OR FLEXIBLE DUCT.
SOLD INDIVIDUALLY.*

OPTIONS: CUSTOM SIZES AVAILABLE.

| |
|---|
| JOB NAME: |
| LOCATION: |
| ARCHITECT: |
| ENGINEER: |
| CONTRACTOR: |
| CONTACT MIAMI TECH INC. FOR ADDITIONAL INFORMATION OR WITH SPECIAL REQUIREMENTS. 3611 NW 74TH ST MIAMI, FL 33147 PHONE: 305-693-7054 FAX: 305-693-6152 WEB: WWW.MIAMITECH.COM EMAIL: SALES@MIAMITECH.COM |

ICPRTRPU

ICP RECTANGULAR-TO-ROUND TAKE-OFF COLLAR FOR PACKAGE-UNIT PRODUCT SPECIFICATIONS

NOTE: ALL DRAWINGS SUBJECT TO CHANGE WITHOUT PRIOR NOTICE.



| | | | |
|----------------|-----------------|---------------------|-----------------------|
| DRAWN BY: AV | DATE: 7/20/2009 | SCALE: NOT TO SCALE | DRAWING NO. ICPTRTRPU |
| CHECKED BY: IV | DATE: 7/20/2009 | REVISION: 1 | |