

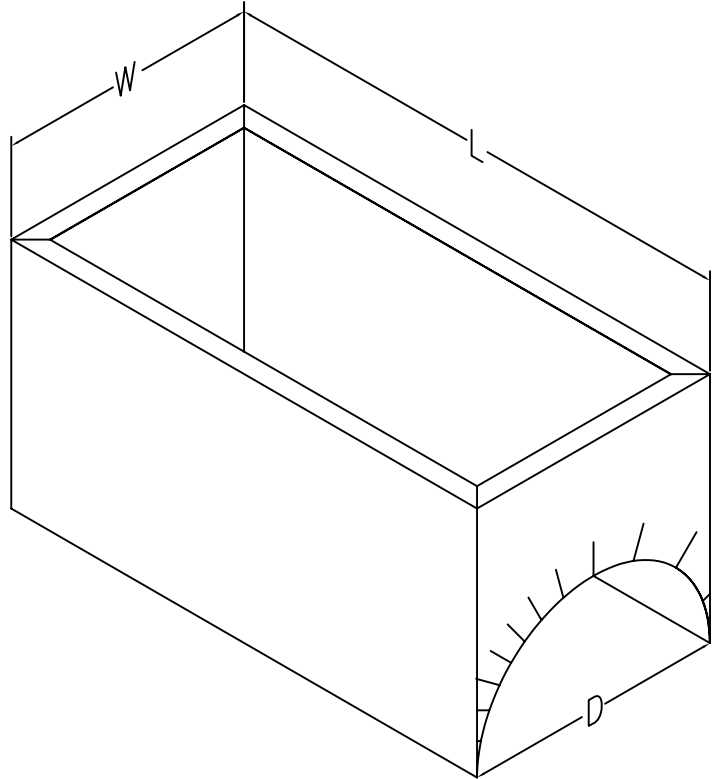


STANDARD CONSTRUCTION

MATERIAL:
26 GAUGE ASTM A-653 HOT-DIPPED GALVANIZED
STEEL SHEET

STANDARD SIZES:

MODEL	GRILLE SIZE L X W	DUCT DIA. D	BOX QTY.
RTO644	6" X 4"	4"	1
RTO666	6" X 6"	6"	1
RTO844	8" X 4"	4"	1
RTO866	8" X 6"	6"	1
RTO888	8" X 8"	8"	1
RTO1066	10" X 6"	6"	1
RTO1088	10" X 8"	8"	1
RTO101010	10" X 10"	10"	1
RTO1266	12" X 6"	6"	1
RTO1288	12" X 8"	8"	1
RTO121010	12" X 10"	10"	1
RTO121212	12" X 12"	12"	1
RTO1466	14" X 6"	6"	1
RTO1488	14" X 8"	8"	1
RTO141414	14" X 14"	14"	1
RTO1666	16" X 6"	6"	1
RTO1688	16" X 8"	8"	1
RTO161616	16" X 16"	16"	1



FEATURES

LASER CUT PRECISION.

GALVANIZED STEEL PROVIDES EXCELLENT CORROSION
RESISTANCE AND LONGEVITY.

AVAILABLE IN OTHER GAUGES.

OPTION: CUSTOM SIZES AVAILABLE.

JOB NAME:
LOCATION:
ARCHITECT:
ENGINEER:
CONTRACTOR:
CONTACT MIAMI TECH INC. FOR ADDITIONAL INFORMATION OR WITH SPECIAL REQUIREMENTS. 3611 NW 74TH ST MIAMI, FL 33147 PHONE: 305-693-7054 FAX: 305-693-6152 WEB: WWW.MIAMITECH.COM EMAIL: SALES@MIAMITECH.COM

RTO

REGISTER TAKE-OFF
PRODUCT SPECIFICATIONS

NOTE: ALL DRAWINGS SUBJECT TO CHANGE WITHOUT PRIOR NOTICE.



DRAWN BY: AF	DATE: 10/09/07	SCALE: NOT TO SCALE
CHECKED BY: IG	DATE: 10/09/07	REVISION: 1

DRAWING NO.
RTO