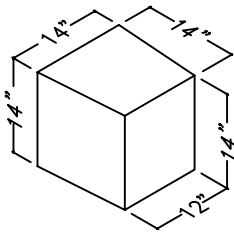
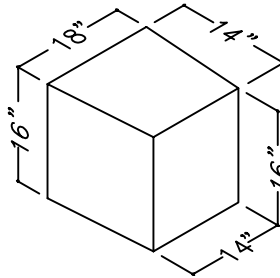


# SRA, MRA, LRA, XRA SRK, MRK, LRK, XRK

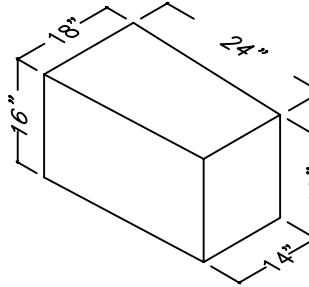
SRA/SRK



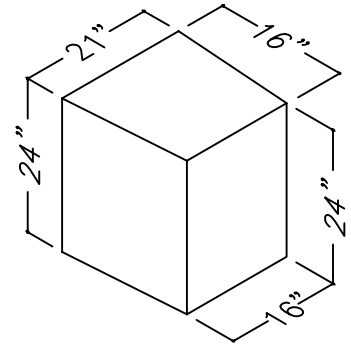
MRA/MRK



LRA/LRK



XRA/XRK



NOTE: DIAGRAMS SHOW OUTSIDE DIMENSIONS.

MIAMI TECH'S FIBERGLASS REDUCER BOXES COME IN A VARIETY OF DIMENSIONS TO BEST SUIT THE NEEDS OF THE JOB. THESE BOXES ARE MADE OF 1 1/2" THICK R6 FIBERGLASS INSULATION WITH A FSK (FOIL BARRIER). ALL MODELS ARE AVAILABLE AS PRE-CONSTRUCTED OR UNFOLDED UNITS. UNFOLDED UNITS CAN BE BUILT QUICKLY AND REQUIRE ONLY TAPE TO FASTEN THEM. DUCT OPENINGS CAN BE EASILY CUT WITH A UTILITY KNIFE.

**REDUCER BOXES: ASSEMBLED**

PART NO.	SIZE	LARGE SIDE (OUTSIDE DIMENSIONS)	SMALL SIDE (OUTSIDE DIMENSIONS)	LENGTH (OUTSIDE DIMENSIONS)	PKG. QUANTITY
SRA	SMALL	14 X 14	14 X 12	14"	6
MRA	MEDIUM	16 X 18	16 X 14	14"	6
LRA	LARGE	16 X 18	16 X 14	24"	6
XRA	EXTRA LARGE	24 X 21	24 X 16	16"	4

**REDUCER BOXES: KNOCKED-DOWN**

PART NO.	SIZE	LARGE SIDE (OUTSIDE DIMENSIONS)	SMALL SIDE (OUTSIDE DIMENSIONS)	LENGTH (OUTSIDE DIMENSIONS)	PKG. QUANTITY
SRK	SMALL	14 X 14	14 X 12	14"	12
MRK	MEDIUM	16 X 18	16 X 14	14"	10
LRK	LARGE	16 X 18	16 X 14	24"	8
XRK	EXTRA LARGE	24 X 21	24 X 16	16"	8

**SRA, MRA, LRA, XRA  
SRK, MRK, LRK, XRK**

FIBERGLASS REDUCER BOXES  
PRODUCT DESCRIPTION

NOTE: ALL DRAWINGS SUBJECT TO CHANGE WITHOUT PRIOR NOTICE.