



STANDARD CONSTRUCTION

OUTSIDE CASING /TOP
30 GAUGE HOT -DIPPED GALVANIZED STEEL

PERIMETER FLANGE:
30 GAUGE HOT DIPPED GALVANIZED STEEL
COLLAR: 30 GAUGE HOT DIPPED GALVANIZED STEEL

INSULATION:
R4.2,R6 OR R8 BLACK DIFFUSER BOARD

OPTIONS:
W/ OUT COLLAR (R4/R6/R8SRBU)
W/ GASKET (R4/R6/R8SRBG)
CUSTOM SIZES AVAILABLE

STANDARD SIZES:

W X H X D
6"X 4"X 4"
6"X 6"X 4"
6"X 6"X 5"
6"X 6"X 6"
8"X 4"X 4"
8"X 4"X 5"
8"X 8"X 7"
8"X 8"X 8"
10"X10"X 7"
12"X 6"X 6"
12"X 6"X 7"
12"X 8"X 7"
12"X 8"X 8"
12"X12"X 8"
14"X 6"X 6"
14"X 6"X 7"
14"X 8"X 7"
14"X 8"X 8"
14"X14"X 7"
14"X14"X 8"
16"X 8"X 7"
16"X 8"X 8"
16"X16"X 7"
16"X16"X 8"
18"X18"X 7"
18"X18"X 8"
24"X24"X 7"

FEATURES

1" PERIMETER FLANGE PROVIDED FOR EASY INSTALLATION

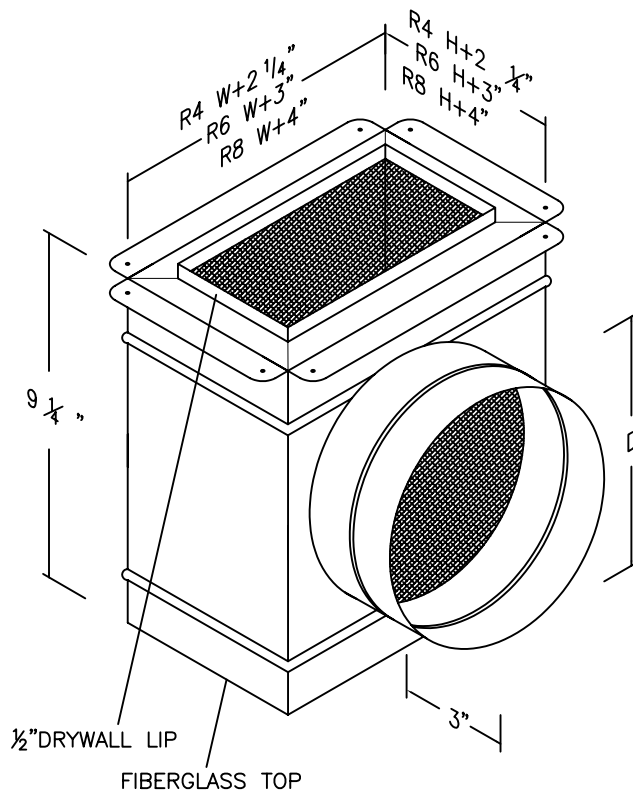
DESIGN INCLUDES 1/2" DRYWALL LIP AND ROUNDED CORNERS FOR ADDED SAFETY

OPENING 1/4" OVERSIZED TO ACCOMMODATE REGISTER /GRILLE.

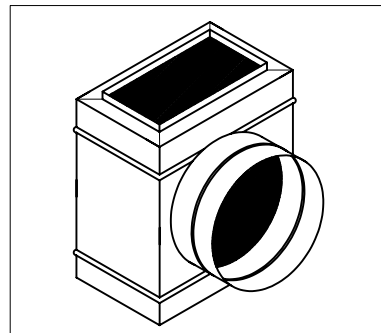
COLLAR INSTALLED WITH EXPANSION LOCK AND THEN SEALED AIR TIGHT WITH HOT MELT GLUE.

DUAL BEAD BOX DESIGN FOR ADDED STRENGTH.

BLACK DIFFUSER BOARD COATED WITH EPA-REGISTERED, ANTI-MICROBIAL, PROTECTIVE ACRYLIC AGENT ALONG AIR STREAM SIDE.



SRBU



JOB NAME:
LOCATION:
ARCHITECT:
ENGINEER:
CONTRACTOR:
CONTACT MIAMI TECH INC. FOR ADDITIONAL INFORMATION OR WITH SPECIAL REQUIREMENTS. 3611 NW 74TH ST MIAMI, FL 33147 PHONE: 305-693-7054 FAX: 305-693-6152 WEB: WWW.MIAMITECH.COM EMAIL: SALES@MIAMITECH.COM

R4/R6/R8SRB

SIDE OUTLET FLANGED
REGISTER BOX WITH COLLAR
PRODUCT SPECIFICATIONS

NOTE: ALL DRAWINGS SUBJECT TO CHANGE WITHOUT PRIOR NOTICE.



DRAWN BY: AF	DATE: 01/06/2009	SCALE: NOT TO SCALE	DRAWING NO.
CHECKED BY: IV	DATE: 01/06/2009	REVISION: 01	R4R6R8SRB