



STANDARD CONSTRUCTION

BODY:
30 GAUGE HOT-DIPPED GALVANIZED STEEL SHEET

INSULATION:
R4.2 OR R6 BLACK DIFFUSER BOARD

OPTIONS:
AVAILABLE 11 1/2" TALL
W/FLANGE (R4/R6SRB)
CUSTOM SIZES AVAILABLE

STANDARD SIZES:

W	X	H	X	D
6	X	4	X	4
6	X	6	X	4
6	X	6	X	5
6	X	6	X	6
8	X	4	X	4
8	X	4	X	5
8	X	8	X	7
8	X	8	X	8
10	X	10	X	7
12	X	6	X	6
12	X	6	X	7
12	X	8	X	7
12	X	8	X	8
12	X	12	X	8
14	X	6	X	6
14	X	6	X	7
14	X	8	X	7
14	X	8	X	8
14	X	14	X	7
14	X	14	X	8
16	X	8	X	7
16	X	8	X	8
16	X	16	X	7
16	X	16	X	8
18	X	18	X	7
18	X	18	X	8
24	X	24	X	7

FEATURES

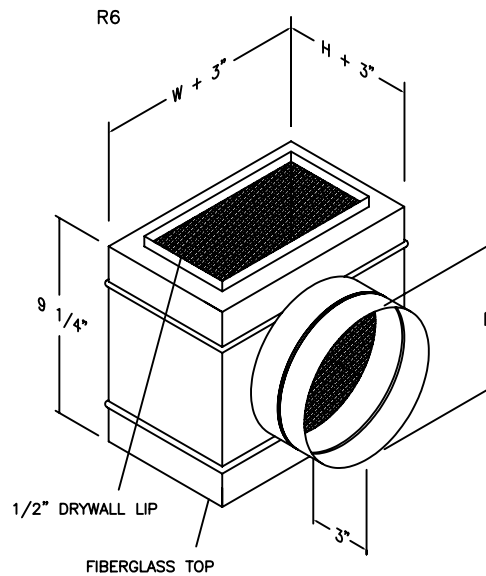
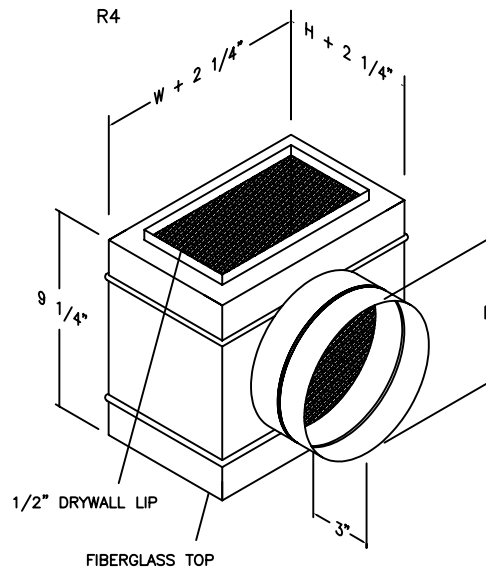
DESIGN INCLUDES 1/2" DRYWALL LIP.

OPENING 1/4" OVERSIZED TO ACCOMMODATE REGISTER/GRILLE.

COLLAR INSTALLED WITH EXPANSION LOCK AND THEN SEALED AIR-TIGHT.

DUAL BEAD BOX DESIGN FOR ADDED STRENGTH.

BLACK DIFFUSER BOARD COATED WITH EPA-REGISTERED, ANTI-MICROBIAL, PROTECTIVE ACRYLIC AGENT ALONG AIR STREAM SIDE.



JOB NAME:
LOCATION:
ARCHITECT:
ENGINEER:
CONTRACTOR:
CONTACT MIAMI TECH INC. FOR ADDITIONAL INFORMATION OR WITH SPECIAL REQUIREMENTS. 3611 NW 74TH ST MIAMI, FL 33147 PHONE: 305-693-7054 FAX: 305-693-6152 WEB: WWW.MIAMITECH.COM EMAIL: SALES@MIAMITECH.COM

R4/R6SRBU

SIDE OUTLET

UNFLANGED REGISTER BOX WITH COLLAR
PRODUCT SPECIFICATIONS

NOTE: ALL DRAWINGS SUBJECT TO CHANGE WITHOUT PRIOR NOTICE.



DRAWN BY: JR	DATE: 07/14/06	SCALE: NOT TO SCALE	DRAWING NO. R4R6SRBU
CHECKED BY: IG	DATE: 07/14/06	REVISION: 1	