



PARTS:

1. 1/2" DRYWALL LIP
2. 1" PERIMETER FLANGE
3. INSULATION: FIBERGLASS DUCT BOARD (1 1/2": R6.0, ALSO AVAILABLE 1": R4.0)
4. MECHANICAL FASTENERS
5. SPIN-IN CONNECTION COLLAR (28 GAUGE ASTM A-653 HOT-DIPPED GALVANIZED STEEL SHEET)
6. STEEL PLENUM (28 GAUGE ASTM A-653 HOT-DIPPED GALVANIZED STEEL SHEET)
7. MODEL 616: UL CLASSIFIED RADIATION DAMPER
 - 7A. MODEL 616: FRAME (22 GAUGE ASTM A-653 HOT-DIPPED GALVANIZED STEEL SHEET)
 - 7B. MODEL 616: DAMPER BLADES (22 GAUGE ASTM A-653 HOT-DIPPED GALVANIZED STEEL SHEET)
 - 7C. MODEL 616: BLADE INSULATION* (UL LISTED CERAMIC FIBER WITH FIBERGLASS COVER)
 - 7D. MODEL 616: UL LISTED FUSIBLE LINK (165°F STANDARD, 212°F OPTIONAL)

1 HOUR RATED CRD/REGISTER/GRILLE ASSEMBLY
CRD/REGISTER BOX ASSEMBLY FOR FLOOR/CEILING
AND ROOF/CEILING WOOD TRUSS ASSEMBLIES OF
CONSTRUCTION L-521, L-546, AND L528 TYPES.

STANDARD SIZES:

MODEL	W X H X D
R4/R6CRDS0804-04/05	8 X 4 X 4/5/6
R4/R6CRDS0806-06/07/08	8 X 6 X 6
R4/R6CRDS1004-04/05/06	10 X 4 X 4/5/6
R4/R6CRDS1006-05/06/07	10 X 6 X 5/6/7
R4/R6CRDS1204-06/07	12 X 4 X 6/7
R4/R6CRDS1206-06/07	12 X 6 X 6/7
R4/R6CRDS1404-07/08	14 X 4 X 7/8
R4/R6CRDS1406-06/07/08	14 X 6 X 6/7/8
R4/R6CRDS1408-06/07/08	14 X 8 X 6/7/8

FEATURES

DESIGNED TO FUNCTION AS A HEAT BARRIER IN AIR HANDLER OPENINGS IN FIRE RESISTANT MEMBRANE CEILINGS.

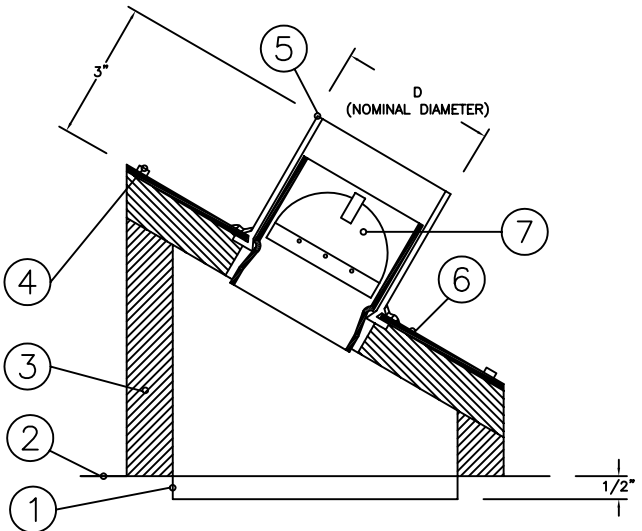
1" PERIMETER FLANGE PROVIDED FOR BOOT CLIP OR ANGLE INSTALLATION.

OPENING 1/4" OVERSIZED TO ACCOMMODATE REGISTER/GRILLE.

6" X 4" MINIMUM / 14" X 14" MAXIMUM REGISTER DIMENSIONS.

4" MINIMUM / 10" MAXIMUM COLLAR DIAMETER.

OPTIONS: CUSTOM SIZES AVAILABLE
PLASTER GROUND EXTENSION AVAILABLE IN 1", 1 1/2" AND 2"



APPLIED RESEARCH LABORATORIES
TESTED TO MEET ANSI/UL555C
ARL LISTING NO. 30123

* NOTE: DAMPERS ABOVE 72 SQ. IN. ARE PROVIDED WITH CERAMIC BLADE INSULATION, HOWEVER INSULATION IS NOT REQUIRED ON DAMPER BLADES WITH AN AREA LESS THAN 80 SQ. IN.

JOB NAME: _____

LOCATION: _____

ARCHITECT: _____

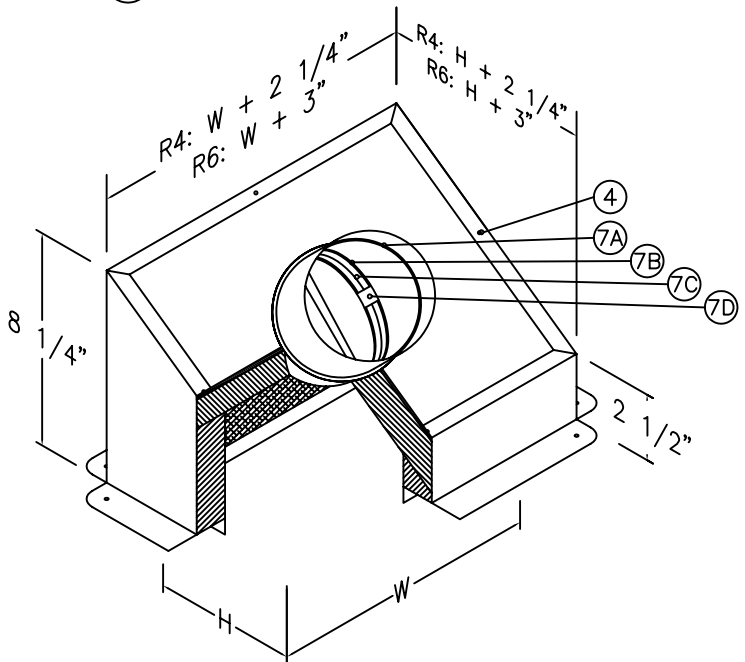
ENGINEER: _____

CONTRACTOR: _____

CONTACT MIAMI TECH INC. FOR ADDITIONAL INFORMATION OR WITH SPECIAL REQUIREMENTS.

3611 NW 74TH ST
MIAMI, FL 33147
PHONE: 305-693-7054 FAX: 305-693-6152

WEB: WWW.MIAMITECH.COM
EMAIL: SALES@MIAMITECH.COM



R4/R6CRDS

CEILING RADIATION DAMPER W/
SLANTED REGISTER BOX ASSEMBLY
PRODUCT SPECIFICATIONS

NOTE: ALL DRAWINGS SUBJECT TO CHANGE WITHOUT PRIOR NOTICE.



DRAWN BY: AF	DATE: 11/08/07	SCALE: NOT TO SCALE	DRAWING NO. CRDS
CHECKED BY: IG	DATE: 11/08/07	REVISION: 1	