



PARTS:

- 1. MODEL 616: UL CLASSIFIED RADIATION DAMPER
 - 1A. MODEL 616: FRAME
(22 GAUGE ASTM A-653 HOT-DIPPED GALVANIZED STEEL SHEET)
 - 1B. MODEL 616: DAMPER BLADES
(22 GAUGE ASTM A-653 HOT-DIPPED GALVANIZE STEEL SHEET)
 - 1C. MODEL 616: UL LISTED FUSIBLE LINK
(165°F STANDARD, 212°F OPTIONAL)
 - 1D. MODEL 616: BLADE INSULATION*
(UL LISTED CERAMIC FIBER WITH FIBERGLASS COVER)
- 2. SPIN-IN CONNECTION COLLAR
(28 GAUGE ASTM A-653 HOT-DIPPED GALVANIZED STEEL SHEET)
- 3. STEEL PLENUM
(28 GAUGE ASTM A-653 HOT-DIPPED GALVANIZED STEEL SHEET)
- 4. INSULATION: FIBERGLASS DUCT BOARD
(1 1/2": R6.0, ALSO AVAILABLE 1": R4.0)
- 5. REGISTER BOX FRAME
(28 GAUGE ASTM A-653 HOT-DIPPED GALVANIZED STEEL SHEET)
- 6. 1" PERIMETER FLANGE
- 7. 1/2" DRYWALL LIP

1 HOUR RATED CRD/REGISTER/GRILLE ASSEMBLY
CRD/REGISTER BOX ASSEMBLY FOR FLOOR/CEILING
AND ROOF/CEILING WOOD TRUSS ASSEMBLIES OF
CONSTRUCTION L-521, L-546, AND L-528 TYPES.

FEATURES

DESIGNED TO FUNCTION AS A HEAT BARRIER IN AIR HANDLER OPENINGS IN FIRE RESISTANT MEMBRANE CEILINGS.

1" PERIMETER FLANGE PROVIDED FOR BOOT CLIP OR ANGLE INSTALLATION.

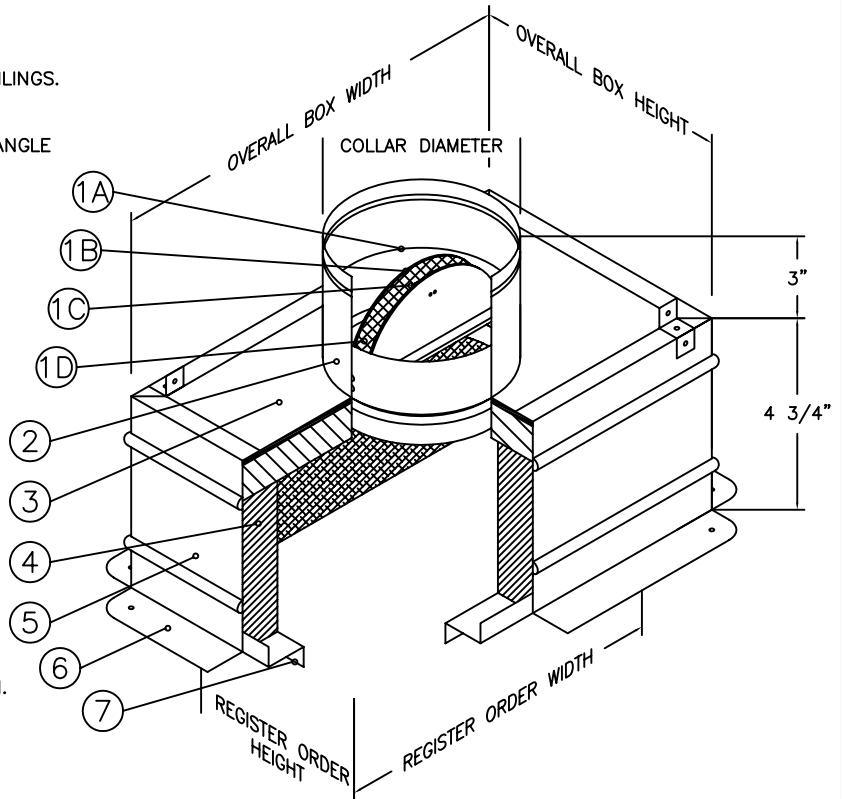
OPENING 1/4" OVERSIZED TO ACCOMMODATE REGISTER/GRILLE.

6" X 4" MINIMUM / 24" X 24" MAXIMUM REGISTER DIMENSIONS.

4" MINIMUM / 21" MAXIMUM COLLAR DIAMETER.

OPTIONS: CUSTOM SIZES AVAILABLE
PLASTER GROUND EXTENSION AVAILABLE IN 1", 1 1/2" AND 2"

* NOTE: DAMPERS ABOVE 72 SQ. IN. ARE PROVIDED WITH CERAMIC BLADE INSULATION, HOWEVER INSULATION IS NOT REQUIRED ON DAMPER BLADES WITH AN AREA LESS THAN 80 SQ. IN.



JOB NAME:
LOCATION:
ARCHITECT:
ENGINEER:
CONTRACTOR:
CONTACT MIAMI TECH INC. FOR ADDITIONAL INFORMATION OR WITH SPECIAL REQUIREMENTS. 3611 NW 74TH ST MIAMI, FL 33147 PHONE: 305-693-7054 FAX: 305-693-6152 WEB: WWW.MIAMITECH.COM EMAIL: SALES@MIAMITECH.COM



APPLIED RESEARCH LABORATORIES
TESTED TO MEET ANSI/UL555C
ARL LISTING NO. 30123

R4/R6CRD

CEILING RADIATION DAMPER W/
REGISTER BOX ASSEMBLY
PRODUCT SPECIFICATIONS

NOTE: ALL DRAWINGS SUBJECT TO CHANGE WITHOUT PRIOR NOTICE.



DRAWN BY: AF	DATE: 2/5/08	SCALE: NOT TO SCALE	DRAWING NO.
CHECKED BY: IG	DATE: 2/5/08	REVISION: 1	CRD