

STANDARD CONSTRUCTION
FRAME:

6063T5 EXTRUDED ALUMINUM
NOMINAL WALL THICKNESS OF 0.081"
UNIVERSAL C-CHANNEL FRAME

BLADES:

6063T5 EXTRUDED ALUMINUM
NOMINAL WALL THICKNESS OF 0.081"
SPACED AT APPROX. 6" CENTERS

BEARINGS:

PERMANENTLY LUBRICATED OILITE BRONZE, PRESS
FIT INTO FRAME

OPERATOR SHAFT:

1/2" DIAMETER PLATED STEEL SHAFT EXTENDS
3" OR 6" PAST FRAME.

FINISH :

MILL ALUMINUM

MINIMUM SIZE:

12" W X 12" H

MAXIMUM DAMPER SIZE:

SINGLE: 48" W X 60" H
MULTIPLE HORIZONTAL: 96" W X 60" H
MULTIPLE VERTICAL: 48" W X 120" H

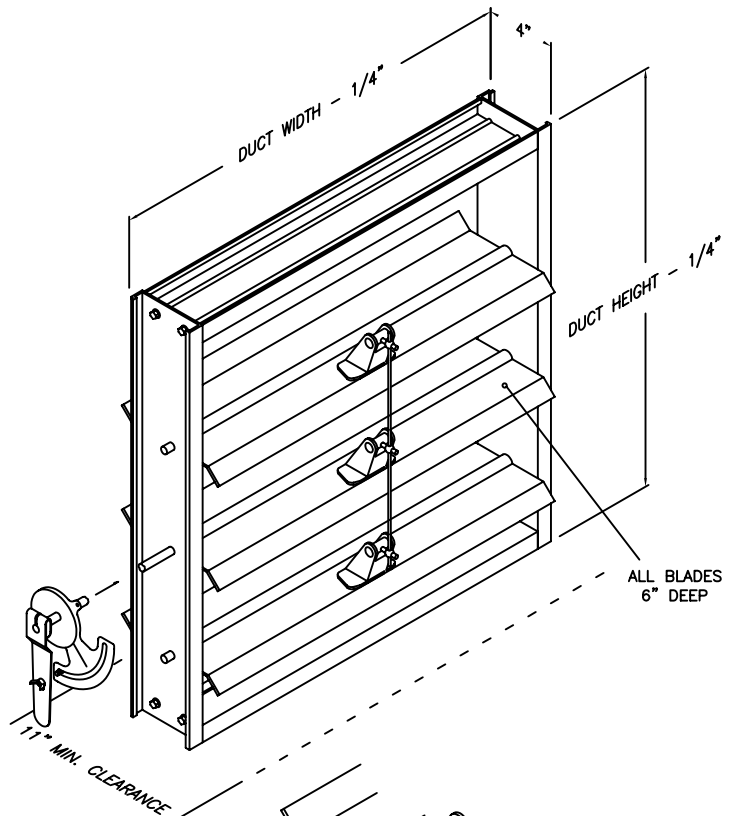
OPTIONS:

MOTOR MOUNTING (FACTORY FURNISHED OR BY OTHERS)
1/2" DIAMETER OPERATOR (EXTENDS 6" BEYOND FRAME)

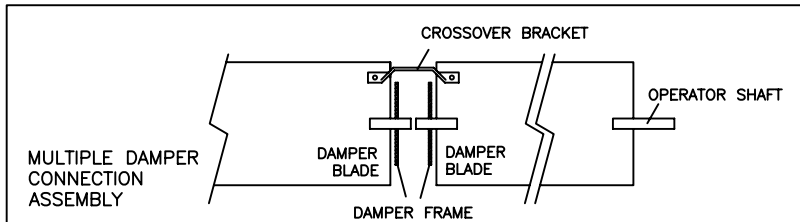
FEATURES

HEAVY EXTRUDED ALUMINUM PROVIDES SUPERIOR
DURABILITY AND RESISTS CORROSION.

SOLID HARDWARE ALLOWS SMOOTH OPERATION.



| | |
|--|----------------------|
| JOB NAME: | |
| LOCATION: | |
| ARCHITECT: | |
| ENGINEER: | |
| CONTRACTOR: | |
| CONTACT MIAMI TECH INC. FOR ADDITIONAL INFORMATION OR WITH SPECIAL REQUIREMENTS. | |
| 3611 NW 74 ST MIAMI, FL 33147 | |
| PHONE: 305-693-7054 | FAX: 305-693-6152 |
| WEB: WWW.MIAMITECH.COM EMAIL: SALES@MIAMITECH.COM | |


PBD

PARALLEL BLADE DAMPER
PRODUCT SPECIFICATIONS

| | | | |
|-------------------|---------------------|------------------------|------------------------|
| DRAWN BY: AF | DATE: 12/13/07 | SCALE: NOT TO SCALE | DRAWING NO. AC101-B |
| CHECKED BY: IG | DATE: 10/20/2010 | REVISION: IG | |