



STANDARD CONSTRUCTION

MATERIAL:

BODY AND BLADES: 6063T5 ALUMINUM EXTRUSION

GASKET: VINYL GASKET EXTRUSION

GEARS: 2" ROUND GLASS-FILLED FIRE-RETARDANT NYLON

**MINIMUM SIZE: 6X4"
MAXIMUM SIZE: 18X36"**

**MZD DAMPERS AVAILABLE WITH TWO (2) MOTOR ACTUATOR STYLES:
POPC: POWER OPEN, POWER CLOSE (24VAC) (EX. MZD1212-POPC)
POSC: POWER OPEN (24VAC), SPRING CLOSE (EX. MZD1408-POSC)**

FEATURES

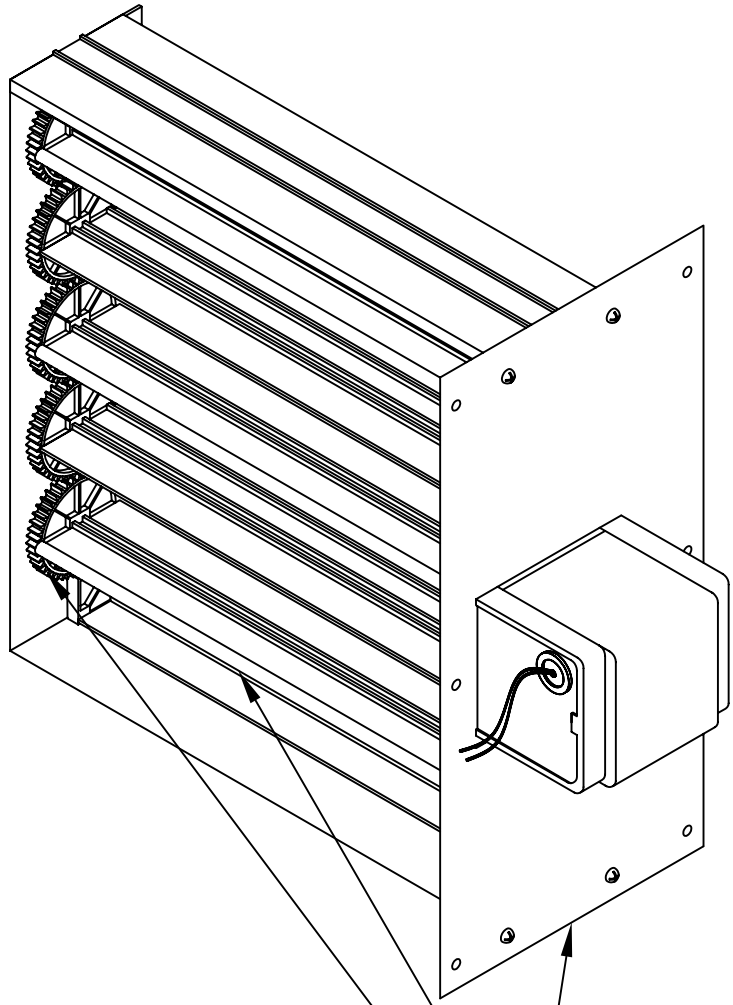
FOR USE IN COMPLETE ZONE CONTROL SYSTEMS OR AS A SIMPLE FLOW SWITCH OF RETURN AIR BETWEEN LOW AND HIGH RETURNS.

EXTRUDED ALUMINUM PROVIDES EXCELLENT CORROSION RESISTANCE AND LONGEVITY.

BLADE EDGE RUBBER GASKET TO REDUCE LEAKAGE WHEN DAMPER IS CLOSED

THE MZD ALLOW FOR RETROFITTING THROUGH AN OPENING CUT IN THE SIDE OF A DUCT, SECURED WITH 6 SCREWS THROUGH THE MOUNTING PLATE TO THE DUCT

OPTIONS: CUSTOM SIZES AVAILABLE.



MOUNTING PLATE
VINYL GASKET
2" NYLON GEARS

JOB NAME:
LOCATION:
ARCHITECT:
ENGINEER:
CONTRACTOR:
CONTACT MIAMI TECH INC. FOR ADDITIONAL INFORMATION OR WITH SPECIAL REQUIREMENTS.
3611 NW 74TH ST MIAMI, FL 33147 PHONE: 305-693-7054 FAX: 305-693-6152
WEB: WWW.MIAMITECH.COM EMAIL: SALES@MIAMITECH.COM

MZDXX-POXC

**Motorized Zone Damper, Rectangular
PRODUCT SPECIFICATIONS**

NOTE: ALL DRAWINGS SUBJECT TO CHANGE WITHOUT PRIOR NOTICE.



DRAWN BY: AV	DATE: 2/24/11	SCALE: NOT TO SCALE	DRAWING NO.
CHECKED BY: IV	DATE:	REVISION: 1	

MZD