



STANDARD CONSTRUCTION

MATERIAL:
26/28 GAUGE ASTM A-653 HOT-DIPPED GALVANIZED STEEL SHEET

CONSTRUCTION:
MECHANICALLY RIVETED BODY

STANDARD SIZES:

PLAIN	W/ SCOOP	W/ DAMPER	W/ SCOOP AND DAMPER	DIA. A	DIA. B	GAUGE	SIZE	QTY.
MSICT64-1	MSICT64-4	MSICT64-5	MSICT64-6	6"	4"	28	4"	1
MSICT75-1	MSICT75-4	MSICT75-5	MSICT75-6	7"	5"	28	5"	1
MSICT86-1	MSICT86-4	MSICT86-5	MSICT86-6	8"	6"	28	6"	1
MSICT97-1	MSICT97-4	MSICT97-5	MSICT97-6	9"	7"	28	7"	1
MSICT108-1	MSICT108-4	MSICT108-5	MSICT108-6	10"	8"	28	8"	1
MSICT1210-1	MSICT1210-4	MSICT1210-5	MSICT1210-6	12"	10"	28	10"	1
MSICT1412-1	MSICT1412-4	MSICT1412-5	MSICT1412-6	14"	12"	26	12"	1
MSICT1614-1	MSICT1614-4	MSICT1614-5	MSICT1614-6	16"	14"	26	14"	1
MSICT1816-1	MSICT1816-4	MSICT1816-5	MSICT1816-6	18"	16"	26	16"	1
MSICT2018-1	MSICT2018-4	MSICT2018-5	MSICT2018-6	20"	18"	26	18"	1
MSICT2220-1	MSICT2220-4	MSICT2220-5	MSICT2220-6	22"	20"	26	20"	1

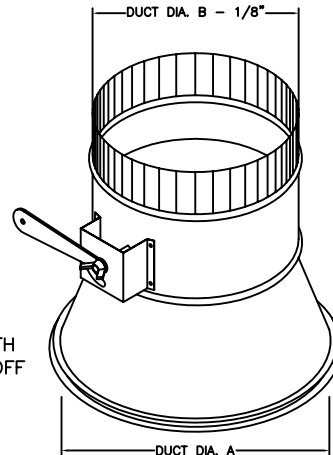
FEATURES

GALVANIZED STEEL PROVIDES EXCELLENT CORROSION RESISTANCE AND LONGEVITY.

SPIN-IN GROOVE FABRICATED INTO BODY TO ENSURE ACCURATE INLET DIAMETER.

CLAMP BAND AND PIPE CRIMP FACILITATE QUICK AND SECURE FIELD INSTALLATION.

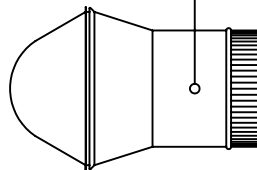
OPTIONS: CUSTOM SIZES AVAILABLE.
2" STAND-OFF (MSICT-SO)
WITHOUT TAPER (MSIC)



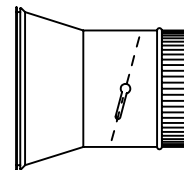
MSICT-1 SHOWN WITH 2" STAND-OFF

JOB NAME:
LOCATION:
ARCHITECT:
ENGINEER:
CONTRACTOR:
CONTACT MIAMI TECH INC. FOR ADDITIONAL INFORMATION OR WITH SPECIAL REQUIREMENTS. 3611 NW 74TH ST MIAMI, FL 33147 PHONE: 305-693-7054 FAX: 305-693-6152 WEB: WWW.MIAMITECH.COM EMAIL: SALES@MIAMITECH.COM

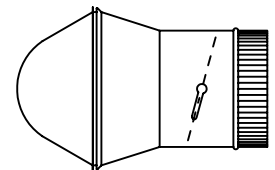
MOUNTING HOLES FOR OPTIONAL DAMPER



MSICT-4



MSICT-5



MSICT-6

MSICT-1

TAPERED SPIN-IN COLLAR FOR METAL
PRODUCT SPECIFICATIONS

NOTE: ALL DRAWINGS SUBJECT TO CHANGE WITHOUT PRIOR NOTICE.



DRAWN BY: AF

DATE: 10/10/07

SCALE: NOT TO SCALE

DRAWING NO. MSICT-1

CHECKED BY: IG

DATE: 10/10/07

REVISION: 1