



STANDARD CONSTRUCTION

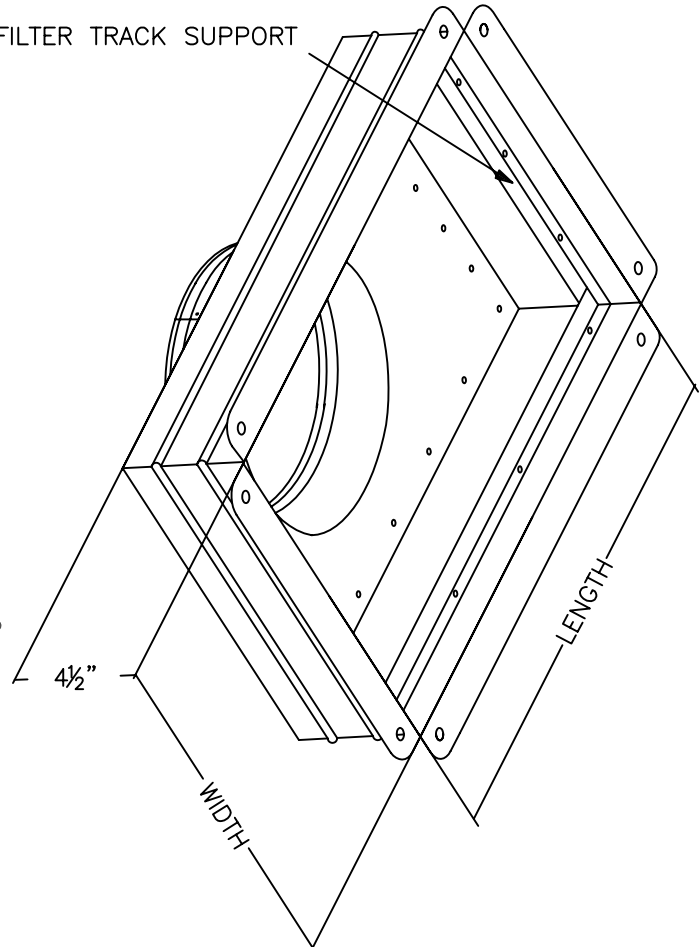
BODY: 26 GAUGE ASTM A-653 HOT-DIPPED GALVANIZED STEEL

COLLAR: 26 GAUGE HOT DIPPED GALVANIZED STEEL

OPTIONS:

CUSTOM SIZES AVAILABLE

1" FILTER TRACK SUPPORT



FEATURES

BODY MECHANICALLY FASTENED TOGETHER TO INSURE A RIGID ASSEMBLY.

1" PERIMETER FLANGE FOR EASY INSTALATION

COLLAR INSTALLED WITH EXPANSION LOCK AND THEN SEALED AIR TIGHT

DUAL BEAD BOX DESIGN FOR ADDED STRENGTH

JOB NAME:
LOCATION:
ARCHITECT:
ENGINEER:
CONTRACTOR:
CONTACT MIAMI TECH INC. FOR ADDITIONAL INFORMATION OR WITH SPECIAL REQUIREMENTS.
3611 NW 74TH ST MIAMI, FL 33147 PHONE: 305-693-7054 FAX: 305-693-6152
WEB: WWW.MIAMITECH.COM EMAIL: SALES@MIAMITECH.COM

STANDARD SIZES:

MODEL	DIMENSIONS (W X L X D)
MHRS142012	14"X20"X12"
MHRS142014	14"X20"X14"

**MHRS (SHORT)
SHORT MOBILE HOME RETURN BOX
PRODUCT SPECIFICATIONS**

NOTE: ALL DRAWINGS SUBJECT TO CHANGE WITHOUT PRIOR NOTICE.



DRAWN BY: AF	DATE: 12/18/2008	SCALE: NOT TO SCALE	DRAWING NO: MHRS
CHECKED BY: IV	DATE: 12/18/2008	REVISION: 01	