



**STANDARD CONSTRUCTION**

BODY:  
26 GAUGE GALVANIZED STEEL SHEET  
1" UNIVERSAL FLANGE

OPTIONS:  
CUSTOM SIZES AVAILABLE

**STANDARD SIZES:**

MODEL	WIDTH (W)	DEPTH (D)	HEIGHT (H)	COLLAR DIAMETER (CD)
MHR122012	12"	20"	9 1/4"	12"
MHR141410	14"	14"	9 1/4"	10"
MHR141412	14"	14"	9 1/4"	12"
MHR142012	14"	20"	9 1/4"	12"
MHR142014	14"	20"	9 1/4"	14"

**FEATURES**

26 GAUGE GALVANIZED STEEL PROVIDES EXCELLENT CORROSION RESISTANCE AND LONGEVITY.

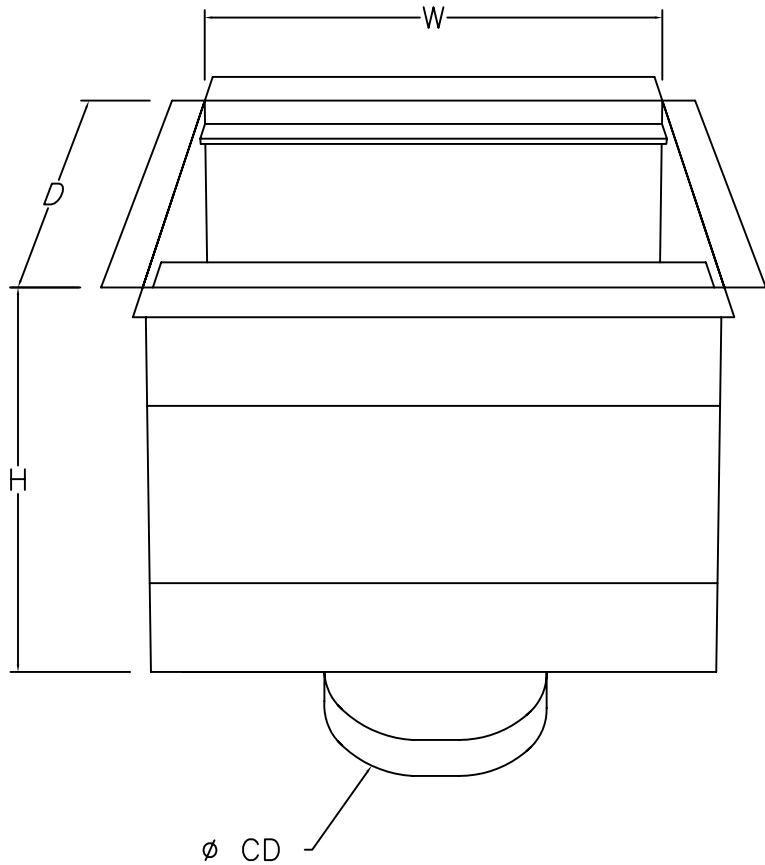
FILTER RACK FACTORY INSTALLED

COLLARS SEALED WITH A UL APPROVED SEALANT.

BOX OPENING 1/4" OVERSIZED TO ACCOMMODATE REGISTER GRILLE.

FLANGED BASE PROVIDES AN SOLID FASTENING SURFACE.

LONG GALVANIZED COLLAR ALLOWS FOR AN EASY UNION TO OTHER COMPONENTS.



JOB NAME:
LOCATION:
ARCHITECT:
ENGINEER:
CONTRACTOR:
CONTACT MIAMI TECH INC. FOR ADDITIONAL INFORMATION OR WITH SPECIAL REQUIREMENTS. 3611 NW 74TH ST MIAMI, FL 33147 PHONE: 305-693-7054 FAX: 305-693-6152 WEB: WWW.MIAMITECH.COM EMAIL: SALES@MIAMITECH.COM

**MHR**

MOBILE HOME RETURN BOX  
PRODUCT SPECIFICATIONS

NOTE: ALL DRAWINGS SUBJECT TO CHANGE WITHOUT PRIOR NOTICE.



DRAWN BY: AF	DATE: 08/20/07	SCALE: NOT TO SCALE	DRAWING NO.
CHECKED BY: IG	DATE: 08/20/07	REVISION: IG	MHR