



**STANDARD CONSTRUCTION**

BODY:  
28 GAUGE ASTM A-653 HOT-DIPPED  
GALVANIZED STEEL SHEET

**STANDARD SIZES:**

MODEL	DIAMETER (D)	CASE QUANTITY
FCLN04	4"	40
FCLN05	5"	36
FCLN06	6"	36
FCLN07	7"	28
FCLN08	8"	22
FCLN09	9"	20
FCLN10	10"	16
FCLN12	12"	24
FCLN14	14"	20
FCLN16	16"	16
FCLN18	18"	14
FCLN20	20"	12

**FEATURES**

DESIGNED TO ACCOMODATE R4 AND R6 DUCTBOARD

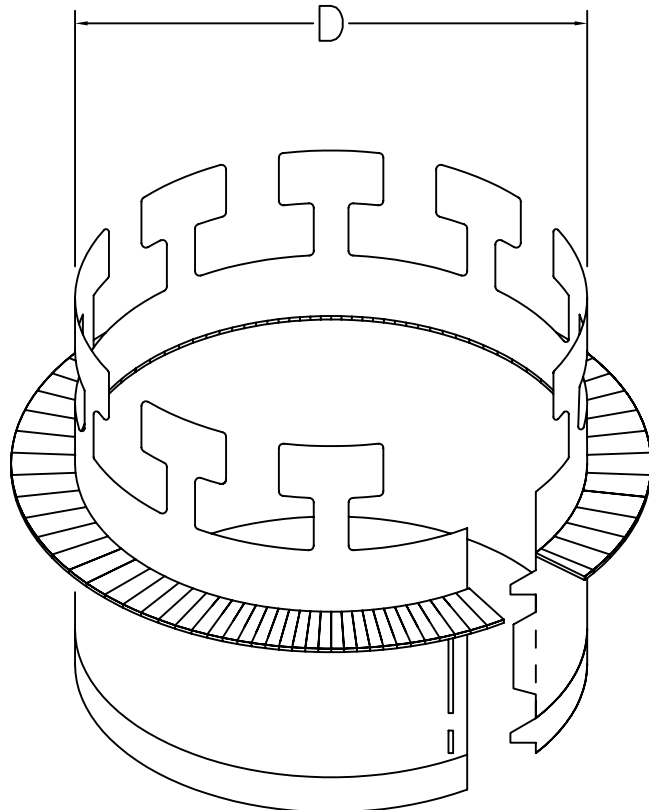
3/4" FLANGE DIMENSION. (EXCEEDES FLORIDA BUILDING CODE.)

AVAILABLE WITH 2" STAND-OFF OR GASKET.

NESTED UNITS SAVE SPACE FOR INVENTORY.

COLLARS QUICKLY AND EASILY SNAP TOGETHER

FULLY HEMMED, NO RAW EDGES.



JOB NAME:
LOCATION:
ARCHITECT:
ENGINEER:
CONTRACTOR:
CONTACT MIAMI TECH INC. FOR ADDITIONAL INFORMATION OR WITH SPECIAL REQUIREMENTS. 3611 NW 74TH ST MIAMI, FL 33147 PHONE: 305-693-7054 FAX: 305-693-6152 WEB: WWW.MIAMITECH.COM EMAIL: SALES@MIAMITECH.COM

**FCLN**

NESTED TAB COLLARS FOR FIBERGLASS  
PRODUCT SPECIFICATIONS

NOTE: ALL DRAWINGS SUBJECT TO CHANGE WITHOUT PRIOR NOTICE.



DRAWN BY: AF	DATE: 08/20/07	SCALE: NOT TO SCALE
CHECKED BY: IG	DATE: 08/21/07	REVISION: IG

DRAWING NO. FCLN