



**STANDARD CONSTRUCTION**

**MATERIAL:**  
14 GAUGE/G-90 ASTM A-653 COLD-ROLLED GALVANIZED STEEL

**STANDARD SIZES:**

TYPE	BASE DEPTH	WIDTH	HEIGHT	PACK QTY.
CUTD4	1.25"	1"	4"	4 PKG.
CUTD4-B	1.25"	1"	4"	BULK
CUTD6	1.25"	1"	6"	4 PKG.
CUTD6-B	1.25"	1"	6"	BULK
CUTD8-B	1.25"	1"	8"	BULK
CUTD11-B	1.25"	1"	11"	BULK
CUTD14-B	1.25"	1"	14"	BULK
CUTD18-B	1.25"	1"	18"	BULK

**FEATURES**

*GALVANIZED STEEL PROVIDES EXCELLENT CORROSION RESISTANCE AND LONGEVITY.*

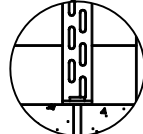
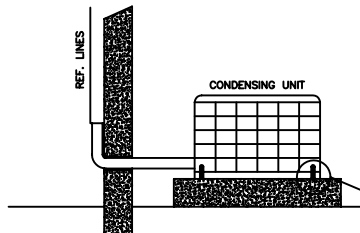
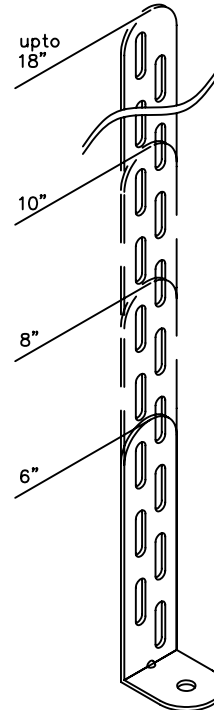
*SLATTED DESIGN PROVIDES A UNIVERSAL MOUNT.*

*AVAILABLE IN PEG BOARD DISPLAY PACKAGES (4 PER PACKAGE) UPTO 6".*

*BULK PACKAGING AVAILABLE FOR ALL SIZES.*

*AVAILABLE IN ALUMINUM FOR EVEN GREATER CORROSION RESISTANCE (MODEL CUTDAX)*

**SINGLE HOLE DESIGN**



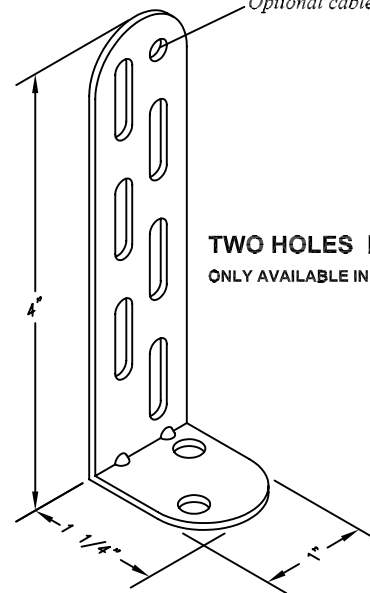
**NOTE: ENGINEERING DATA AND CALCULATIONS AVAILABLE UPON REQUEST.**

*anchor with (1) 1/4" diameter ITW Buildex (or equivalent) carbon steel Tapcon embedded 1-3/4" minimum into 3,000 psi concrete with 2-1/2" minimum edge distance.*

*Optional cable hole*

**TWO HOLES DESIGN**

**ONLY AVAILABLE IN 4" HEIGHT**



JOB NAME:
LOCATION:
ARCHITECT:
ENGINEER:
CONTRACTOR:
CONTACT MIAMI TECH INC. FOR ADDITIONAL INFORMATION OR WITH SPECIAL REQUIREMENTS.
3611 NW 74TH ST MIAMI, FL 33147 PHONE: 305-693-7054 FAX: 305-693-6152
WEB: WWW.MIAMITECH.COM EMAIL: SALES@MIAMITECH.COM

**CUTD**

**CONDENSING UNIT TIE DOWN  
PRODUCT SPECIFICATIONS**

**NOTE: ALL DRAWINGS SUBJECT TO CHANGE WITHOUT PRIOR NOTICE.**



DRAWN BY: AF

DATE: 06-01-2009

SCALE: NOT TO SCALE

DRAWING NO. CUTD

CHECKED BY: IV

DATE: 06-30-2010

REVISION: IG