



**STANDARD CONSTRUCTION**

MATERIAL:  
26 GAUGE ASTM A-653 HOT-DIPPED GALVANIZED  
STEEL SHEET

STANDARD SIZES:

MODEL	WIDTH	LENGTH	BOX QTY.
CBC-26	1.125"	26"	50

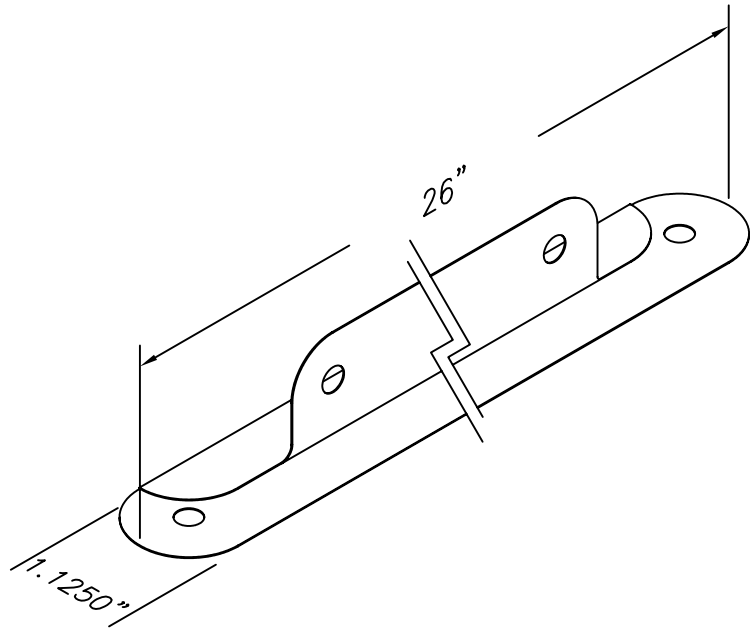
**FEATURES**

26 GAUGE GALVANIZED STEEL PROVIDES EXCELLENT  
CORROSION RESISTANCE AND LONGEVITY.

DESIGNED FOR USE ON BOTH FLANGED AND  
UNFLANGED REGISTER BOXES.

SOLD IN BOX QUANTITIES OF 50 PIECES.

OPTION: CUSTOM SIZES AVAILABLE.



JOB NAME:
LOCATION:
ARCHITECT:
ENGINEER:
CONTRACTOR:
CONTACT MIAMI TECH INC. FOR ADDITIONAL INFORMATION OR WITH SPECIAL REQUIREMENTS.  3611 NW 74TH ST MIAMI, FL 33147 PHONE: 305-693-7054 FAX: 305-693-6152  WEB: WWW.MIAMITECH.COM EMAIL: SALES@MIAMITECH.COM

**CBC**

COMBO CLIP  
PRODUCT SPECIFICATIONS

NOTE: ALL DRAWINGS SUBJECT TO CHANGE WITHOUT PRIOR NOTICE.



DRAWN BY: AF	DATE: 09/26/07	SCALE: NOT TO SCALE
CHECKED BY: IG	DATE: 09/26/07	REVISION: 1

DRAWING NO.  
CBC