



STANDARD CONSTRUCTION

MATERIAL:
20 GAUGE/G-60 ASTM A-653 HOT-DIPPED
GALVANIZED STEEL SHEET

STANDARD SIZES:

MODEL	SIZE	GAUGE	BUNDLE QTY.
AHB	2.25" X 24"	20	2

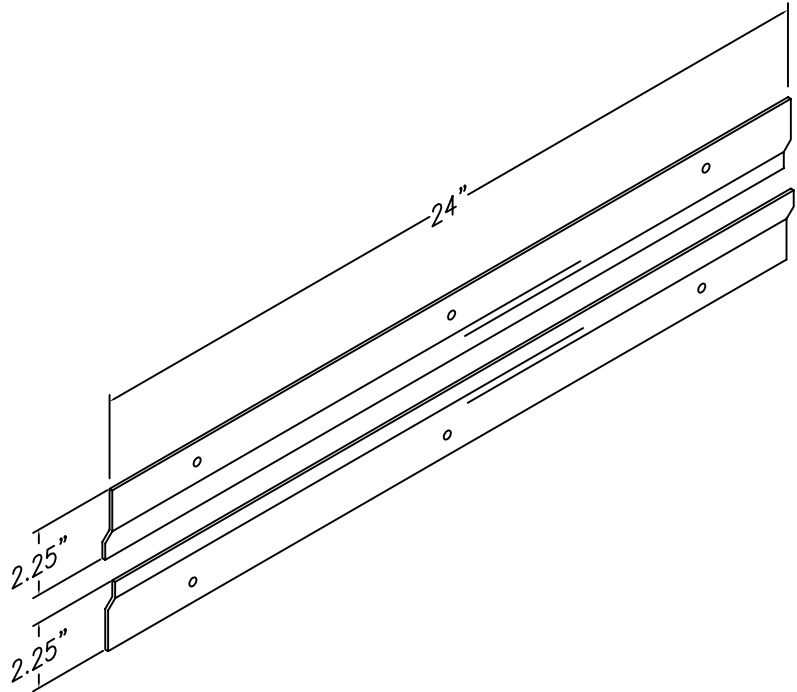
FEATURES

GALVANIZED STEEL PROVIDES EXCELLENT CORROSION RESISTANCE AND LONGEVITY.

EASILY MOUNTS VARIOUS SIZES OF AIR HANDLERS TO THE WALL.

SOLD IN BUNDLE QUANTITIES OF 2 PIECES.

OPTION: CUSTOM SIZES AVAILABLE.



JOB NAME:
LOCATION:
ARCHITECT:
ENGINEER:
CONTRACTOR:
CONTACT MIAMI TECH INC. FOR ADDITIONAL INFORMATION OR WITH SPECIAL REQUIREMENTS. 3611 NW 74TH ST MIAMI, FL 33147 PHONE: 305-693-7054 FAX: 305-693-6152 WEB: WWW.MIAMITECH.COM EMAIL: SALES@MIAMITECH.COM

AHB

AIR HANDLER BRACKET
WALL MOUNTING KIT
PRODUCT SPECIFICATIONS



DRAWN BY: AF	DATE: 10/09/07	SCALE: NOT TO SCALE
CHECKED BY: IG	DATE: 10/09/07	REVISION: 1

DRAWING NO. AHB