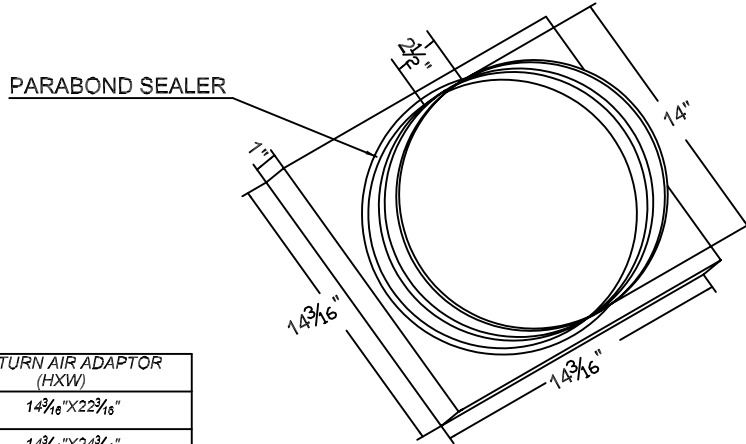


**STANDARD CONSTRUCTION**

26 GAUGE ASTM A-653 HOT -DIPPED GALVANIZED STEEL

COLLAR: 26 GAUGE HOT DIPPED GALVANIZED STEEL

INSULATION:  
1"-R4 BLACK DIFFUSER BOARD



SUPPLY AIR ADAPTER

**STANDARD SIZES:**

MODEL	DISCHARGE AIR ADAPTOR (HXW)	RETURN AIR ADAPTOR (HXW)
667PCH 2	14 <sup>3</sup> / <sub>16</sub> "X14 <sup>3</sup> / <sub>16</sub> "	14 <sup>3</sup> / <sub>16</sub> "X22 <sup>3</sup> / <sub>16</sub> "
667PCH 3	14 <sup>3</sup> / <sub>16</sub> "X14 <sup>3</sup> / <sub>16</sub> "	14 <sup>3</sup> / <sub>16</sub> "X24 <sup>3</sup> / <sub>16</sub> "



RETURN AIR ADAPTER

**FEATURES**

COLLAR INSTALLED WITH EXPANSION LOCK AND THEN SEALED AIR TIGHT WITH PARABOND ALUMINUM ADHESIVE

BLACK DIFFUSER BOARD COATED WITH EPA-REGISTERED, ANTI-MICROBIAL, PROTECTIVE ACRYLIC AGENT ALONG AIR STREAM SIDE. SOLD IN SETS (SUPPLY/RETURN).

JOB NAME:
LOCATION:
ARCHITECT:
ENGINEER:
CONTRACTOR:
<p>CONTACT MIAMI TECH INC. FOR ADDITIONAL INFORMATION OR WITH SPECIAL REQUIREMENTS.</p> <p>3611 NW 74TH ST MIAMI, FL 33147 PHONE: 305-693-7054 FAX: 305-693-6152</p> <p>WEB: WWW.MIAMITECH.COM EMAIL: SALES@MIAMITECH.COM</p>

**667PCH**

**GOODMAN TAKE-OFF COLLAR FOR PACKAGE-UNIT**

PRODUCT SPECIFICATIONS

NOTE: ALL DRAWINGS SUBJECT TO CHANGE WITHOUT PRIOR NOTICE.

DRAWN BY: AF	DATE: 01/06/2009	SCALE: NOT TO SCALE	DRAWING NO. 667PCH
CHECKED BY: IV	DATE: 01/06/2009	REVISION: 01	