



STANDARD CONSTRUCTION

BODY:
4"-10" 28 GAUGE
12"-20" 26 GAUGE
ASTM A-653 HOT-DIPPED
GALVANIZED STEEL

STANDARD SIZES:

DIAMETER	MODEL
4'	261L04
5'	261L05
6'	261L06
7'	261L07
8'	261L08
9'	261L09
10'	261L10
12'	261L12
14'	261L14
16'	261L16
18'	261L18
20'	261L20

DIAMETER	W/ SCOOP
4'	261LZ04
5'	261LZ05
6'	261LZ06
7'	261LZ07
8'	261LZ08
9'	261LZ09
10'	261LZ10
12'	261LZ12
14'	261LZ14
16'	261LZ16
18'	261LZ18
20'	261LZ20

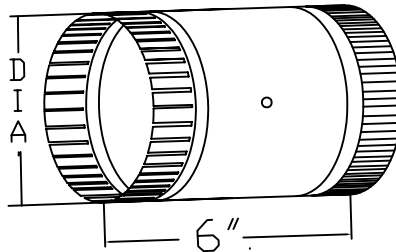
DIAMETER	W/ DAMPER
4'	261LD04
5'	261LD05
6'	261LD06
7'	261LD07
8'	261LD08
9'	261LD09
10'	261LD10
12'	261LD12
14'	261LD14
16'	261LD16
18'	261LD18
20'	261LD20

DIAMETER	W/ SCOOP AND DAMPER
4'	261LZD04
5'	261LZD05
6'	261LZD06
7'	261LZD07
8'	261LZD08
9'	261LZD09
10'	261LZD10
12'	261LZD12
14'	261LZD14
16'	261LZD16
18'	261LZD18
20'	261LZD20

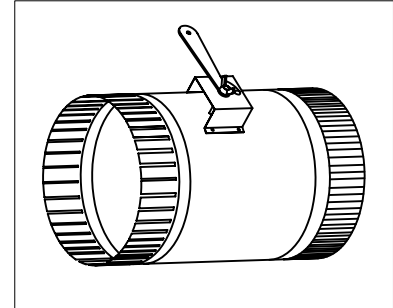
FEATURES

BODY MECHANICALLY FASTENED TOGETHER TO INSURE A RIGID ASSEMBLY.

OPTIONS:
AVAILABLE WITH DAMPER (MODEL 261LDXX)
AVAILABLE WITH SCOOP (MODEL 261LZXX)
AVAILABLE WITH SCOOP & DAMPER (MODEL 261ZDXX)
CUSTOM SIZES AVAILABLE.
2" STAND-OFF (ADD -SO TO PART NO.)



STAND-OFF OPTION

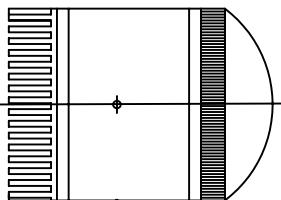


JOB NAME: _____
 LOCATION: _____
 ARCHITECT: _____
 ENGINEER: _____
 CONTRACTOR: _____

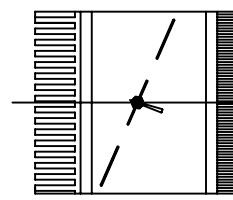
CONTACT MIAMI TECH INC. FOR ADDITIONAL INFORMATION OR WITH SPECIAL REQUIREMENTS.

3611 NW 74TH ST
 MIAMI, FL 33147
 PHONE: 305-693-7054 FAX: 305-693-6152

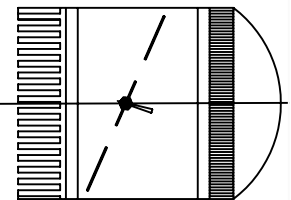
WEB: WWW.MIAMITECH.COM
 EMAIL: SALES@MIAMITECH.COM



261LZ04



261LD04



261LZD04

**261L
6" LONG STARTING COLLAR
PRODUCT SPECIFICATIONS**

NOTE: ALL DRAWINGS SUBJECT TO CHANGE WITHOUT PRIOR NOTICE.



DRAWN BY: AF

DATE: 12/04/08

SCALE: NOT TO SCALE

DRAWING NO.

CHECKED BY: IV

DATE: 12/04/08

REVISION: 01

261L