

STANDARD CONSTRUCTION

MATERIAL:
26 GAUGE ASTM A-653 HOT-DIPPED GALVANIZED
STEEL SHEET

CONSTRUCTION:
MECHANICALLY RIVETED / STITCH WELDED

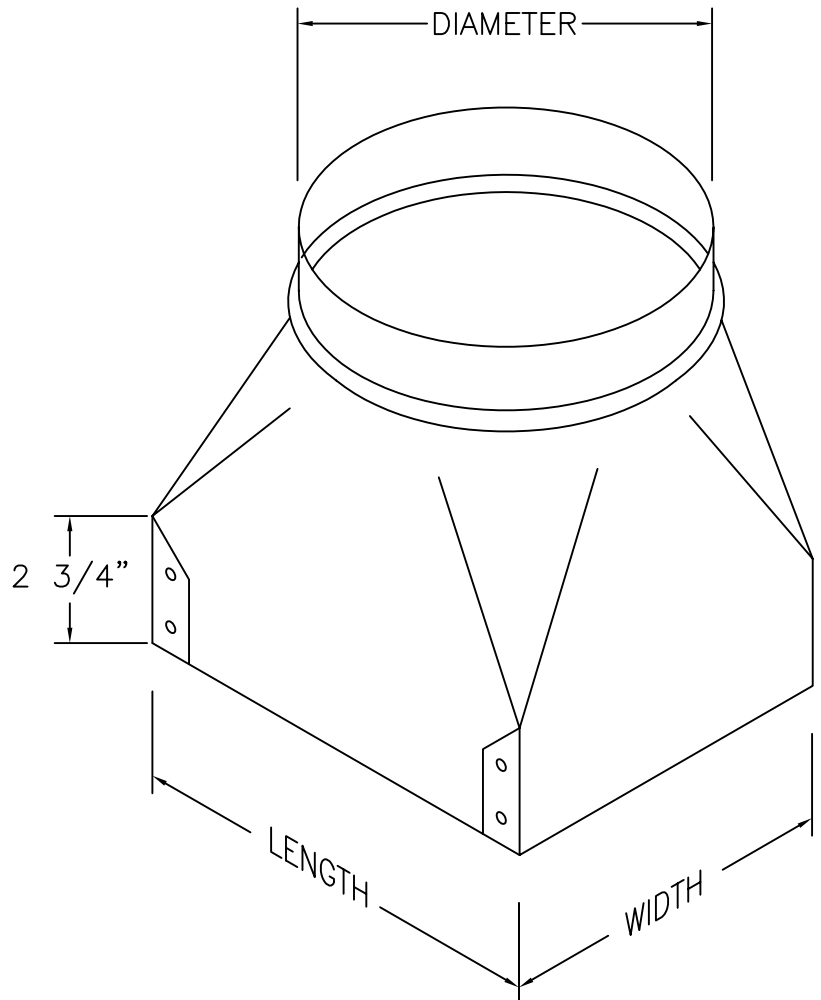
STANDARD SIZES:

MODEL	LENGTH	WIDTH	COLLAR	QTY
110R080404	8"	4"	4"	1
110R080405	8"	4"	5"	1
110R100405	10"	4"	5"	1
110R100406	10"	4"	6"	1
110R100605	10"	6"	5"	1
110R100606	10"	6"	6"	1
110R120405	12"	4"	5"	1
110R120406	12"	4"	6"	1
110R120606	12"	6"	6"	1
110R120608	12"	6"	8"	1
110R140406	14"	4"	6"	1
110R140408	14"	4"	8"	1
110R140610	14"	6"	8"	1

FEATURES

**GALVANIZED STEEL PROVIDES EXCELLENT CORROSION
RESISTANCE AND LONGEVITY.**

OPTIONS: CUSTOM SIZES AVAILABLE.



JOB NAME:
LOCATION:
ARCHITECT:
ENGINEER:
CONTRACTOR:
CONTACT MIAMI TECH INC. FOR ADDITIONAL INFORMATION OR WITH SPECIAL REQUIREMENTS.
3611 NW 74TH ST MIAMI, FL 33147 PHONE: 305-693-7054 FAX: 305-693-6152
WEB: WWW.MIAMITECH.COM EMAIL: SALES@MIAMITECH.COM

110R

STRAIGHT REGISTER BOOT
PRODUCT SPECIFICATIONS

NOTE: ALL DRAWINGS SUBJECT TO CHANGE WITHOUT PRIOR NOTICE.