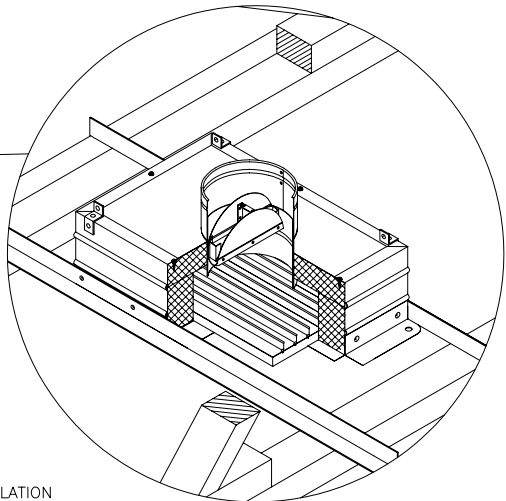
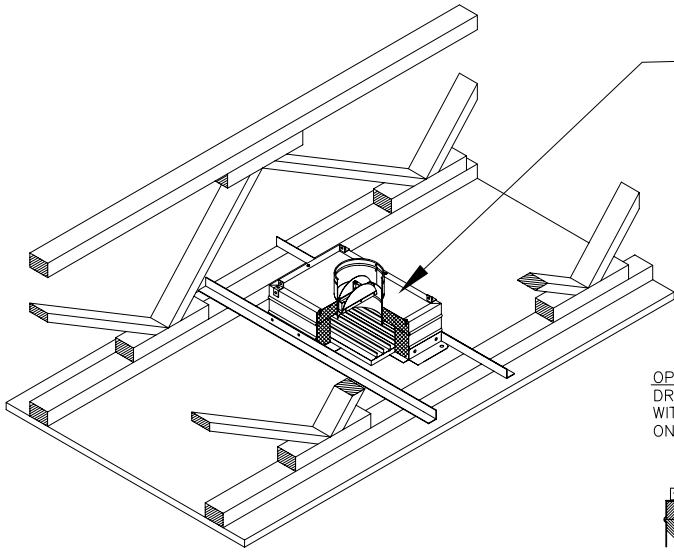


1 HOUR RATED CRD/REGISTER/GRILLE ASSEMBLY
 CRD/REGISTER BOX ASSEMBLY FOR FLOOR/CEILING
 AND ROOF/CEILING WOOD TRUSS ASSEMBLIES OF
 CONSTRUCTION L-521, L-546, L528 TYPES.

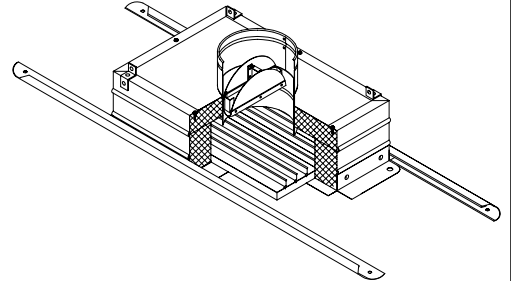


MODEL R6CRD

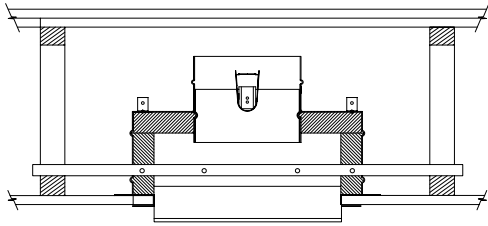
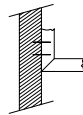
OPTIONAL
 DROP CEILING INSTALLATION
 WITH .06 DIA. WIRE FASTENERS
 ON PROVIDED HANGER BRACKETS



OPTIONAL
 FLUSH MOUNT INSTALLATION
 26 GA. STANDARD BOOT CLIP
 ON BOX FLANGES IN PLACE OF
 HANGER OR ANGLES.



OPTIONAL
 90° FORMED ANGLE ENDS
 FOR SIDE FASTENING
 IN TRUSSES



NOTES:

1. Before installing the damper, R6CRD open the blades and hook the fusible link over the link catch on the opposite blade. Bend down the link catch to secure the link in position.
2. Measure the actual truss centers and add approx 6" to determine straight angle lengths. (2) required per box. When using the optional formed angle allow for adequate flanges at each mounting point and cut and bend the angles on both ends to 90 degrees or the appropriate angle required.
3. Establish the location of the gypsum flange and fasten the (2) hanger angles to the plenum box with (2) minimum # 8 x 3/4 sheet metal screws or 3/16 diameter rivets for each hanger angle spot welding or bolts. Four connections on each angle as a minimum.
 Note: fastener positions must not interfere with the damper blade operation.
4. Mounting angles are fastened to joists or other structural members with a minimum at two fasteners for each mounting point using (#16d) common nails or # 8 x 2" long screws.
5. Damper shall be supported with a standard boot clip, in two places minimum, on opposite sides of the damper. The boot clip shall be fastened at each end to the trusses with minimum 16d nails, No. 8 screws or bolts 2" long (min.). Only one connection per end required.
6. Steel or Aluminum grille or diffuser to be attached to the duct drop or ceiling damper using a minimum of 2 #6 by 2" long sheet metal screws.

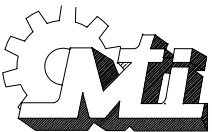
IMPORTANT:

Screws, bolts, rivets, etc., used to install the damper or grille MUST NOT INTERFERE WITH DAMPER BLADE OPERATION.



APPLIED RESEARCH LABORATORIES (UL555C)
 CLASSIFIED CEILING RADIATION DAMPERS.
 FIRE RESISTANCE RATED 1 HOUR.
 FOR USE IN UL CLASSIFIED BUILDING
 MATERIALS RATED 1 HOUR OR LESS.

MIAMI TECH.INC 3611 NW 74 St. MIAMI,FLORIDA 33147
 PHONE:(305) 693-7054:FAX:(305) 693-6152



CEILING RADIATION DAMPER
 WITH REGISTER BOX ASSEMBLY
 MODEL R6CRD

TRUSS/GYPSUM INSTALLATION INSTRUCTIONS

DRAWN BY: CG	DATE: 06/20/05
REV. NO.: B	REV. DATE: 02/12/08
APPROVED BY: AV	DRAWING NO.: R6CRD