

A/C STAND

ALUMINUM. FIXED CROSS-MEMBER.



FLORIDA BUILDING CODE
FL NO. 8505.1
APPROVED 03/28/2007

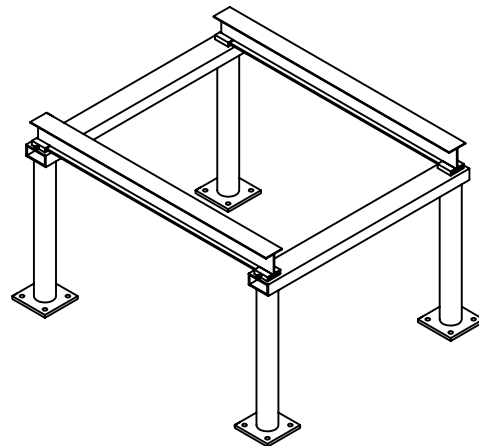
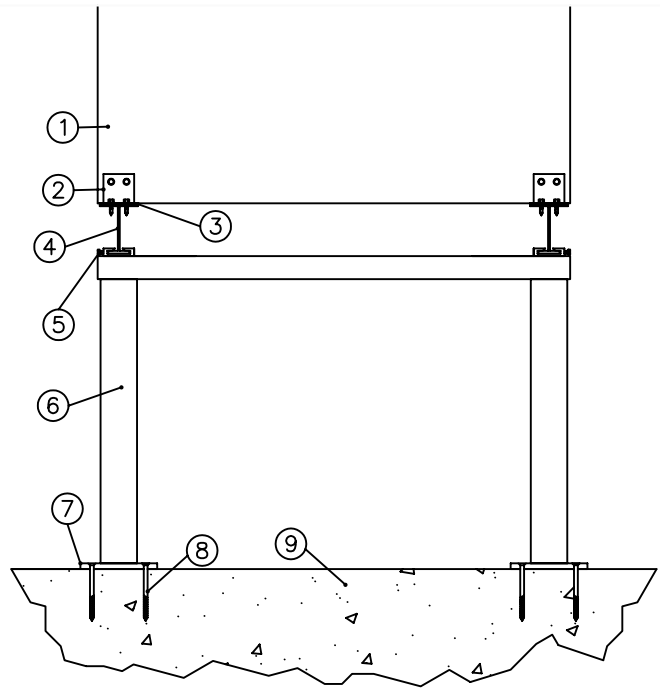
PAGE
1 OF 2

PARTS:

1. CONDENSING UNIT
2. CONDENSING UNIT TIE DOWN (OPTIONS LISTED PAGE 2)
3. ISOLATOR PAD
4. I-BEAM
5. LOCK BOLT
6. ALUMINUM A/C STAND
7. BASE PLATE
8. ANCHOR (4 PER PLATE, SEE CHART)
9. ROOF SUBSTRATE

NOTES:

1. ALL STEEL IN CONTACT WITH THE ALUMINUM A/C STAND SHALL BE PAINTED OR PLATED.
2. DIMENSIONS AND WEIGHT OF EACH A/C UNIT SHALL BE IN ACCORDANCE WITH SPECIFICATIONS LISTED BY THE MANUFACTURER.
3. MINIMUM EMBEDMENT OF ANCHORS EXCLUDES THE ROOFING FINISH. EMBEDMENT MUST BE ENTIRELY IN THE ROOF STRUCTURE.
4. WOOD HOST STRUCTURES SHALL BE CONSTRUCTED OF "SOUTHERN PINE" (G=0.55) OR GREATER DENSITY.
5. WHERE EXISTING STRUCTURE IS WOOD TRUSSES, FIELD VERIFY THAT FASTENERS ARE INTO ADEQUATE WOOD TRUSS MEMBERS, NOT INTO PLYWOOD.
6. IT IS THE RESPONSIBILITY OF THE INSTALLER TO BE SURE THAT THE EXISTING STRUCTURE CAN HANDLE THE LOAD IMPOSED BY THE STAND AND A/C UNIT(S).
7. BE SURE THE CLEAR HEIGHT BETWEEN THE FINISHED ROOF AND THE BOTTOM OF THE STAND IS IN ACCORDANCE WITH THE GOVERNING BUILDING CODE.
8. FOR CONDITIONS OTHER THAN THOSE LISTED IN THIS INSTALL MANUAL, IT IS NECESSARY TO HAVE A LICENSED ENGINEER OR ARCHITECT PREPARE SITE-SPECIFIC DOCUMENTATION INDICATING PROPER INSTALLATION PROCEDURES.



ANCHORAGE CHART

SUBSTRATE	ANCHOR TYPE	EMBEDMENT
STEEL	#14 ITW BUILDDEX SELF-DRILLING TEK SCREWS W/ BONDED WASHER	FULL EMBEDMENT TO 1/8" MIN. THICKNESS STRUCTURAL STEEL MEMBER
CONCRETE	3/8" POWERS LOK-BOLT SLEEVE ANCHOR	1 5/8" MIN. EMBEDMENT 3" MIN. EDGE DISTANCE
WOOD	1/2" X 4" S.S. LAG SCREW	2 3/16" MIN. THREAD EMBEDMENT 1" MIN. EDGE DISTANCE
CONCRETE	3/8" RED HEAD LARGE DIAMETER TAPCON ("LDT")	2" MIN. EMBEDMENT 3" MIN. EDGE DISTANCE

ASF

FIXED CROSS-MEMBER ALUMINUM A/C STAND
INSTALLATION INSTRUCTIONS

NOTE: ALL DRAWINGS SUBJECT TO CHANGE WITHOUT PRIOR NOTICE.



miami tech inc.

DRAWN BY: AF

DATE: 04/02/07

SCALE: NOT TO SCALE

DRAWING NO.

CHECKED BY: IG

DATE: 04/05/07

REVISION: IG

AST01-1

A/C STAND

ALUMINUM. FIXED CROSS-MEMBER.



FLORIDA BUILDING CODE
FL NO. 8505.1
APPROVED 03/28/2007

PAGE
2 OF 2

INSTALLATION INSTRUCTIONS

STEP 1:
SLIDE THE I-BEAM INTO THE STANDS. BE SURE THE STANDS ARE EVENLY SPACED ALONG THE I-BEAM. ONCE EVENLY SPACED, TIGHTEN THE LOCK BOLTS.

STEP 2:
ALIGN THE BASE PLATES OF THE STAND SO THAT THEY ARE STRAIGHT. USE A CHALK LINE TO ENSURE STRAIGHTNESS. BE SURE THE LEGS ARE SQUARE TO THE ROOF.

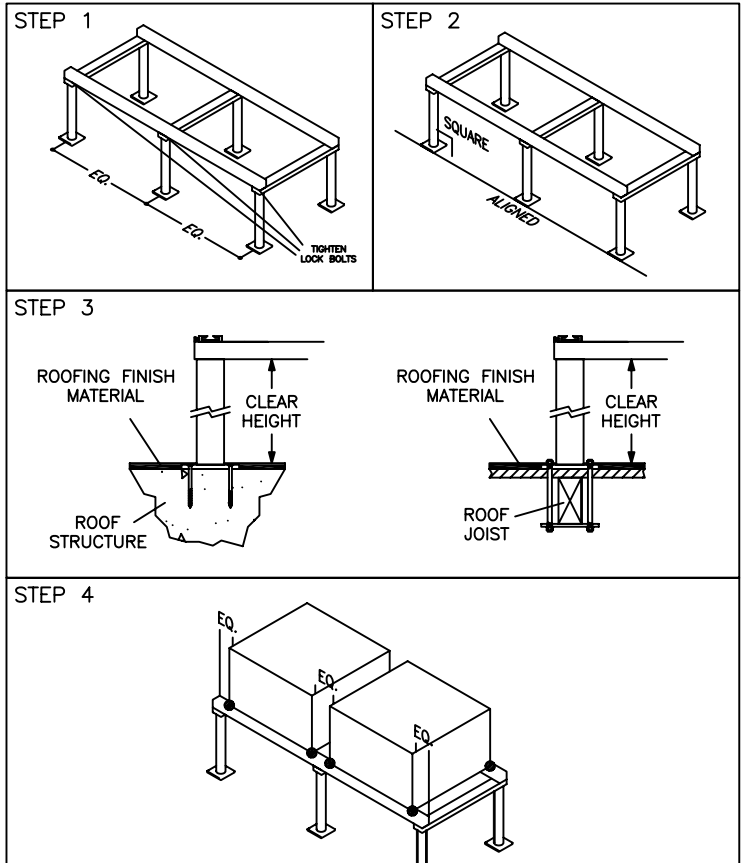
STEP 3:
SECURE THE BASE PLATE TO THE STRUCTURE USING THE PROPER ANCHORAGE (SEE CHART). THE ANCHOR MUST GO INTO THE STRUCTURE OF THE ROOF, NOT ONLY THE ROOFING FINISH. IT MAY BE NECESSARY TO SINK THE BASEPLATE INTO THE ROOFING FINISH.

OR

PLACE A 5" X 5" X 1/4" STEEL PLATE BENEATH AN EXISTING ROOF JOIST AND BOLT THROUGH THE BASE PLATE USING 3/8" STEEL ROD. USE 4 RODS PER BASEPLATE AND USE BOTH NUTS AND WASHERS TO SECURE THE RODS. IT MAY BE NECESSARY TO SINK THE BASEPLATE INTO THE ROOFING FINISH.

STEP 4:
AFTER THE STAND IS FIRMLY ATTACHED TO THE ROOF, PLACE THE A/C UNIT(S) ON TOP OF THE STAND. IF INSTALLING MORE THAN 1 UNIT, BE SURE THEY ARE EVENLY SPACED ALONG THE STAND. ATTACH THE UNIT(S) TO THE STANDS USING THE TIE DOWN OPTIONS LISTED BELOW.

NOTE: BE SURE THE CLEAR HEIGHT BETWEEN THE FINISHED ROOF AND THE BOTTOM OF THE STAND IS IN ACCORDANCE WITH THE GOVERNING BUILDING CODE.

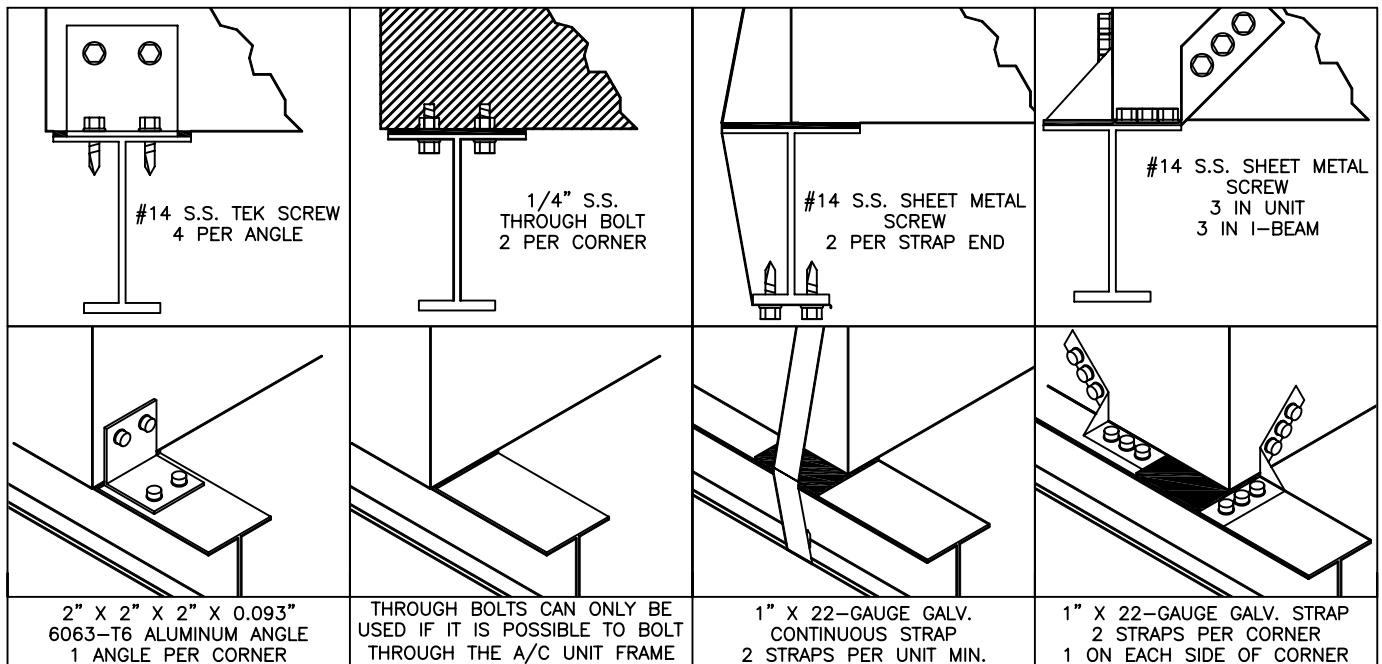


A/C UNIT TIE DOWN
OPTION 1

A/C UNIT TIE DOWN
OPTION 2

A/C UNIT TIE DOWN
OPTION 3

A/C UNIT TIE DOWN
OPTION 4



ASF

FIXED CROSS-MEMBER ALUMINUM A/C STAND
INSTALLATION INSTRUCTIONS

NOTE: ALL DRAWINGS SUBJECT TO CHANGE WITHOUT PRIOR NOTICE.



miami tech inc.

DRAWN BY:

AF

DATE:

04/02/07

SCALE:

NOT TO SCALE

DRAWING NO.

AST02-1

CHECKED BY:

IG

DATE:

04/05/07

REVISION:

IG